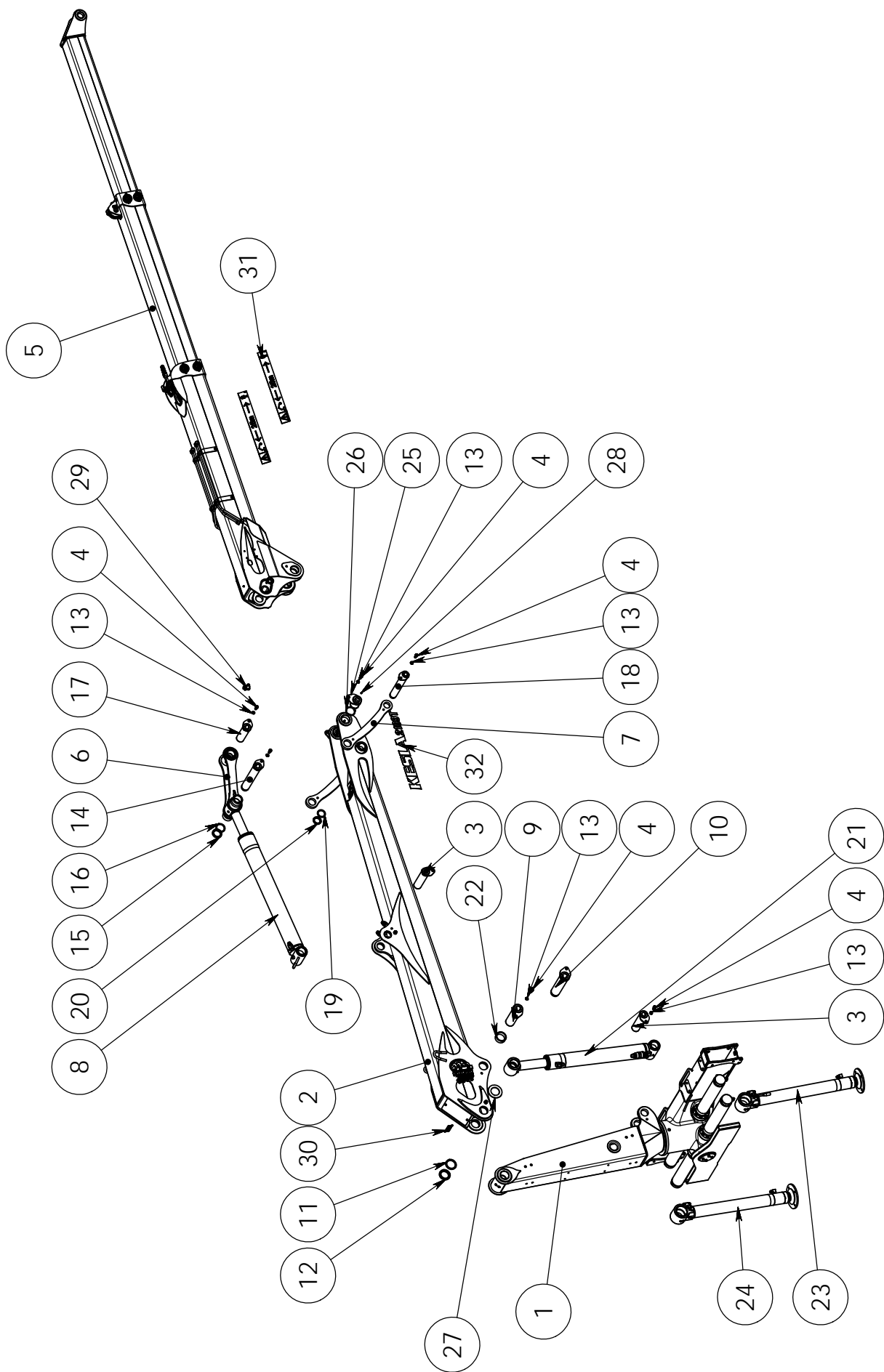


KESLA 2109, 2109T**Sisällysluettelo \ Innehållsförteckning \ Contents \ Inhaltsverzeichnis**

Pääkokoospano \ Sammansättning \ Final assembly \ Zusammensetzung	2
Käätölaite \ Vridanordning \ Slew mechanism \ Schwenkwerk	4
Tukijalkavarustus \ Stödbensutrustning \ Stabilizers \ Stützfußbausrüstung	8
Nostopuomi \ Lyftbom \ Main lifting boom \ Hubarm	10
Siirtopuomisto \ Vipparm KESLA \ Outer boom \ Knickarm	16
Vetotanko varusteltuna \ Dragstång \ Inner link assy \ Mittleres Gelenk	22
Siirtopuomiston ketju \ Kedja \ Chain \ Kette kompl. \ 3x4 (87)	24
Nostosylinteri varusteltuna \ Lyftcylinder utrustning \ Accessories for main lifting cylinder \ Ausrüstung für Hubzylinder	26
Nostosylinteri \ Lyftcylinder \ Main lifting cylinder \ Hubzylinder	28
Siirtosylinteri varusteltuna \ Vippcylinder utrustning \ Accessories for outer boom cylinder \ Ausrüstung für Knickarmzylinder	30
Siirtosylinteri \ Vippcylinder \ Outer boom cylinder \ Knickarmzylinder	32
Jatkeen sylinteri \ Utskjutscylinder \ Extension cylinder \ Ausschubzylinder \	34
Tukijalkojen levityssylinteri \ Spridningscylinder \ Spreading cylinder \ Ausshubzylinder für Stützfüsse	36
Tukijalan sylinteri \ Stödbenscylinder \ Stabilizer cylinder \ Stützfußcylinder	38



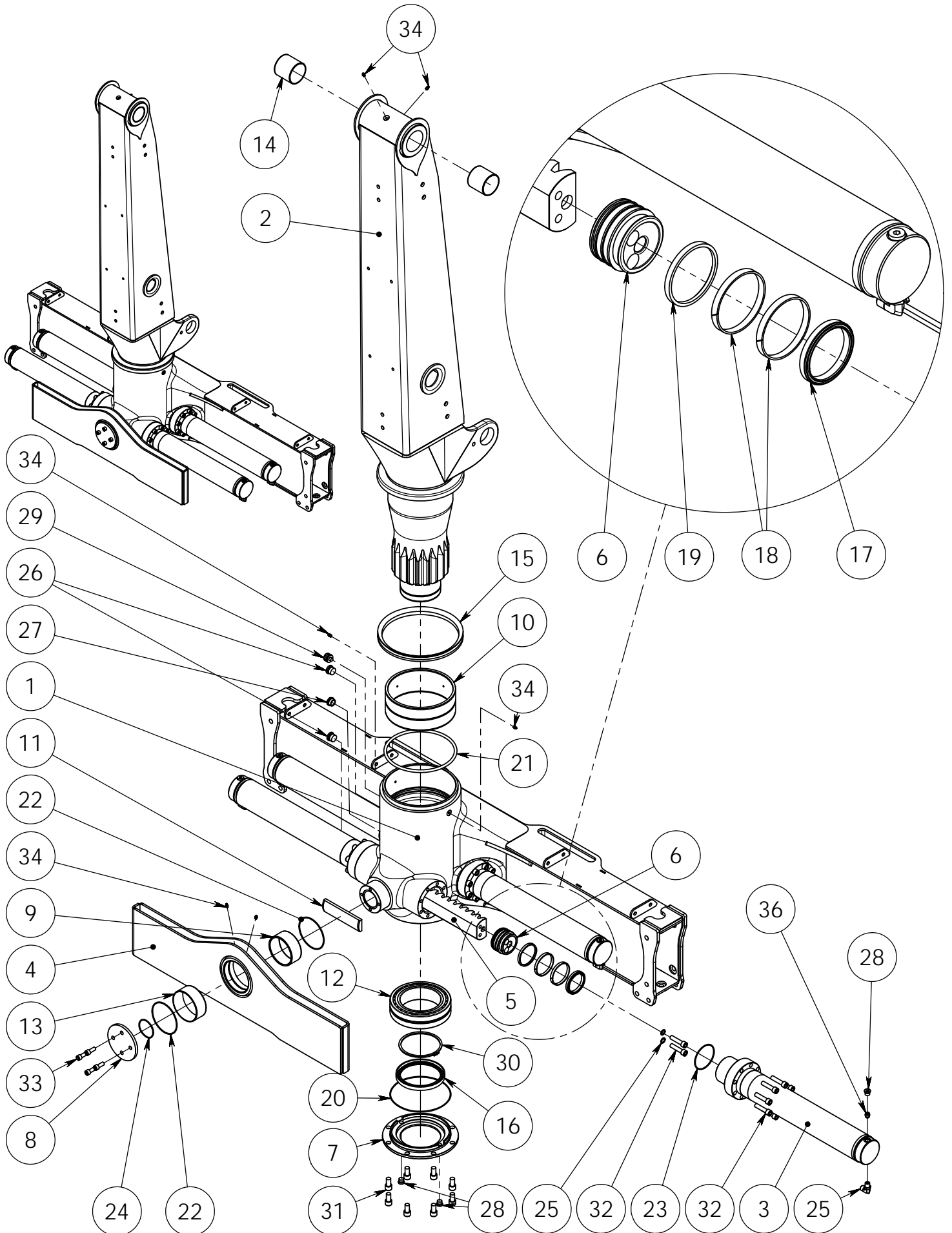


SPARE PART LIST

Item code	90026954	Revision	-
Title	CRANE	Date	03.04.2014
Specification	2109T		

Pos	Item code	Title	Specification	Pc	Nto Weight
1	90026051	SLEW MECHANISM	2109, 2110	1	658.05
2	90026187	LIFT BOOM	L=4050 VAR	1	296.1
3	90026057	AXLE	70 - 285 KOK	2	6.58
4	3010700	ALLEN SCREW	M16X30 8.8ZN DIN 912	9	0
5	90026266	OUTER BOOM	L=5810 2-JATK	1	366.16
6	90026176	DRAW BAR	VAR	1	24.37
7	90026139	LINK	HITS + KON	2	8.49
8	90026696	CYLINDER	130/80 X 1036 SIIRTOSYLINTERI 2110	1	89.91
9	90026183	AXLE	80 - 285 KOK	1	8.37
10	90026246	AXLE	80 - 350 KOK	1	10.07
11	90013697	WASHER	100/81-6	1	0.13
12	3020158	NUT	KM15 NYLOC M75X2	1	0.35
13	3030150	WASHER	M16 NORD LOCK	9	0.01
14	90026250	AXLE	70 - 444 KOK	1	10
15	3020157	NUT	KM13 NYLOC M65X2.0	1	0.26
16	90016000	WASHER	85/71-6	1	0.08
17	90026252	AXLE	70 - 237 KOK	1	5.51
18	90026254	AXLE	60 - 444 KOK	1	7.34
19	90013698	WASHER	75/61-6	1	0.07
20	3020164	NUT	KM11 NYLOC M55X2.0	1	0.17
21	90026538	MAIN LIFTING CYLINDER	115/80 X 810 NOSTOSYLINTERI 2109	1	71.18
22	90026222	SLEEVE	95/81-35	2	0.53
23	90026032	STABILIZER	90/70X720 RIGHT	1	66.29
24	90026033	STABILIZER	90/70X720 LEFT	1	66.29
25	90026248	AXLE	80-99 KOK	2	3.47
26	3060094	SNAP RING	80X4 DIN471	2	0
27	90010011	BEARING	130/80.5 - 5	2	0.05
28	3050003	GREASE NIPPLE	M8X1,25 DIN 71412	4	0
29	3091465	CONNECTOR	6310-12-10	1	0.3
30	3281642	PLATE	120X45 CE	1	0.03
31	3281135	DECAL	VAARA-ALUE 25 M, 730X80	2	0.1
32	3281628	DECAL	KESLA 2109T	2	0.07

90026051
SLEW MECHANISM



Item code	90026051	Revision	A
Title	SLEW MECHANISM	Date	24.01.2013
Specification	2109, 2110		

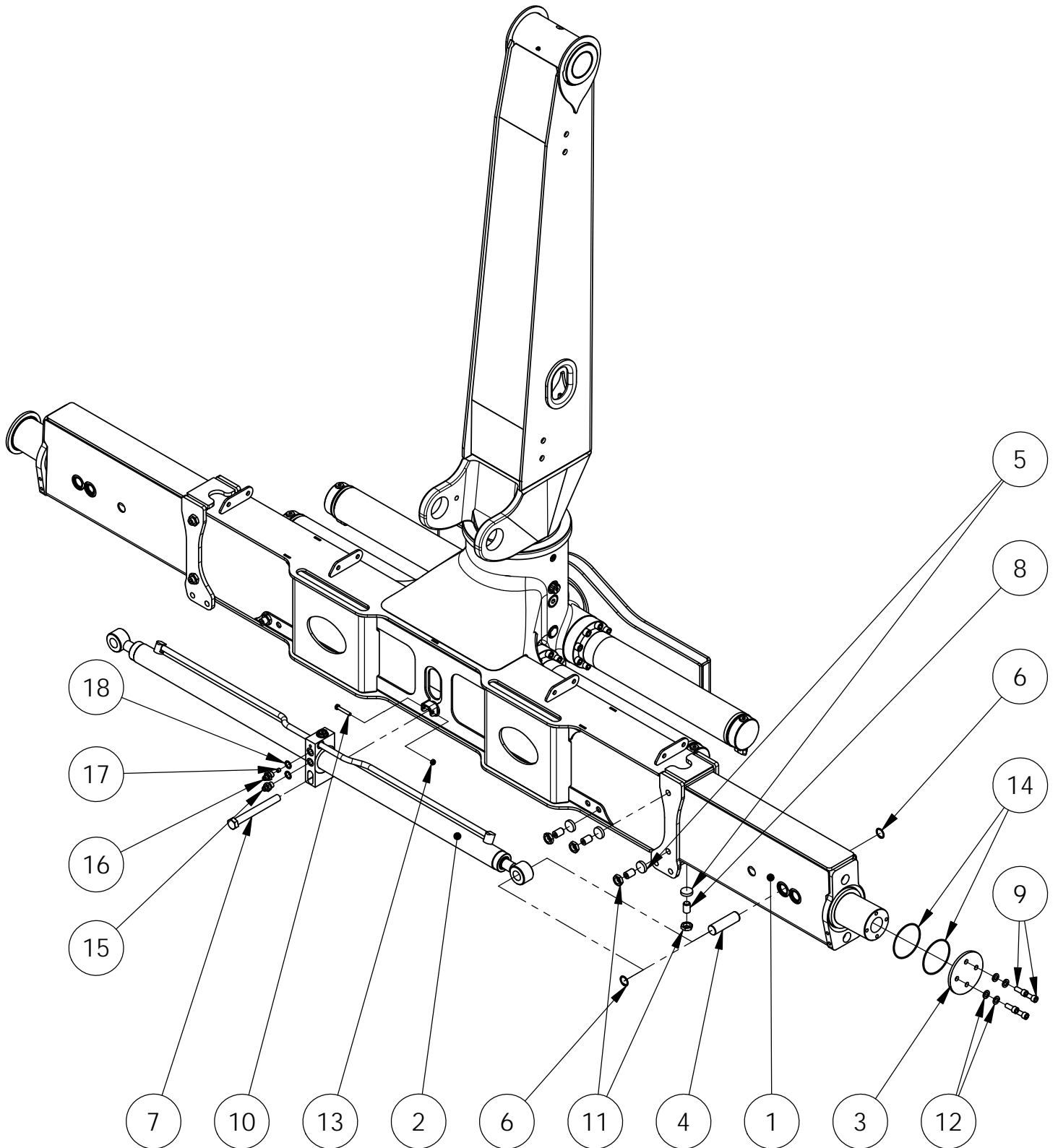
Pos	Item code	Title	Specification	Pc	Nto Weight
1	90026024	SLEW MECHANISM	RUNKO HITS	1	243.41
2	90026038	PILLAR	HITS+KON	1	242.17
3	90024152	CYLINDER	105/90-762	4	17.2
4	90021823	PENDULUM	HITS+KON	1	34.42
5	90026584	RACK BAR		2	20.24
6	90026585	PISTON		4	1.89
7	90021820	FLANGE	280/150-28	1	4
8	90020845	FLANGE	145X90-10	1	1.25
9	90020846	SLEEVE	120/110-50	1	0.7
10	90012821	BEARING	260/240-100	1	0.88
11	90026037	BUSHING	17,5X50-189	2	0.17
12	3100331	ROLLER BEARING	23030CC/W33	1	7.45
13	3100218	BUSHING	WB 802 12050	1	0.38
14	3100187	BUSHING	WB 802 8080	2	0.41
15	3110930	SEAL	VA-300	1	1.63
16	3110565	SHAFT SEAL	150X180X15 RST	1	0.5
17	3110636	PISTON SEAL	B7 90/75X12	4	0.16
18	3110863	PISTON GUIDE	90/85X9.7	8	0.05
19	3110638	WIPER SEAL	PPW 90/81.4X5.3	4	0.05
20	3110771	O-RING	219.5X3.0 70 SHORE	1	0.04
21	3110938	SEAL	OR 250X10 70SHORE	1	0.5
22	3110461	O-RING	124.5X3.0 70 SHORE	2	0.02
23	3110639	O-RING	96X3.0 70 SHORE	4	0.02
24	3110631	O-RING	69.5X3.0	1	0.01
25	3030080	WASHER	M14 KUPARIALUSLEVY	8	0
26	3090630	CONNECTOR (ANGLE)	6310-06-08	4	0.1
27	3090209	PLUG		2	0.08
28	3090294	OIL LEVEL INDICATOR		1	0.01
29	3090210	PLUG		6	0.03
30	3091042	BREATHER		1	0.11
31	3060076	SNAP RING	AS 150X4 DIN 471	1	0
32	3010700	ALLEN SCREW	M16X30 8.8 ZN DIN 912	8	0
33	3010601	ALLEN SCREW	M14X60 12.9 DIN 912	40	0
34	3010246	ALLEN SCREW	M12X30 8.8 ZN DIN 912	4	0
35	3050003	GREASE NIPPLE	M8X1,25 DIN 71412	6	0
36	3120363	CHECK VALVE		4	0.02

Item code	90026051	Revision	A
Title	SLEW MECHANISM	Date	24.01.2013
Specification	2109, 2110		

Pos	Item code	Title	Specification	Pc	Nto Weight
40	3111116	SEAL KIT	90 SHORT PISTON	1	0

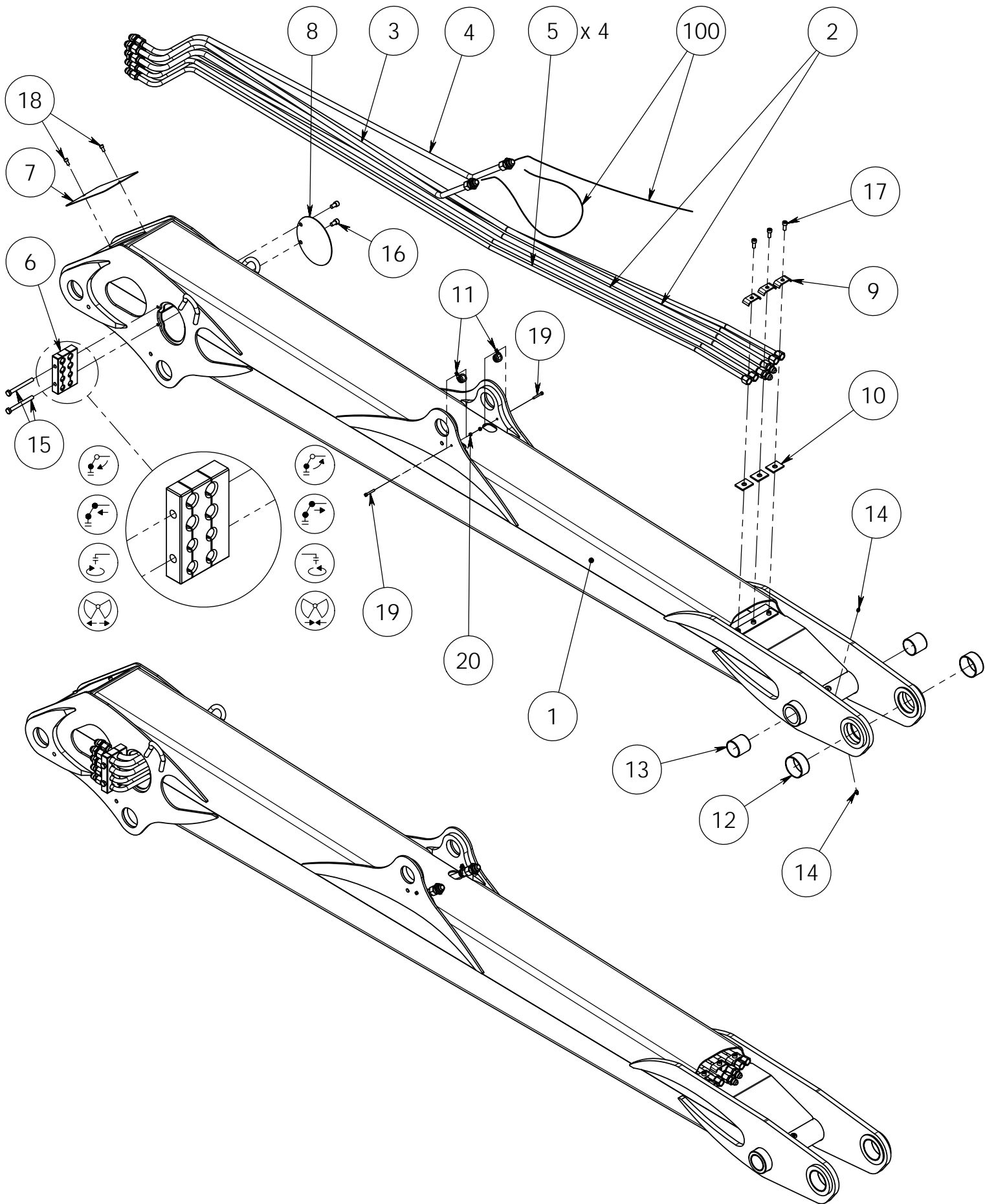
90026052

SLEW MECHANISM WITH STABILIZER



Item code	90026052	Revision	-
Title	SLEW MECHANISM	Date	28.01.2013
Specification	WITH STABILIZER		

Pos	Item code	Title	Specification	Pc	Nto Weight
1	90025449	CONTROL ARM	HITS	2	40.35
2	28862001	CYLINDER	50/30X2X600	1	16.69
3	90011250	FLANGE	135 - 8	2	0.86
4	90013050	AXLE	30-102	2	0.57
5	90020807	GLIDE PAD	35 - 8	8	0.01
6	3060019	SNAP RING	30 DIN 472	4	0
7	3010224	HEW SCREW	M20X180 8.8 ZN DIN 931	1	0
8	3010312	ALLEN SCREW	M20X30 10.9 ZN DIN 913	8	0
9	3010246	ALLEN SCREW	M12X30 8.8 ZN DIN 912	8	0
10	3010072	HEW SCREW	M8X50 8.8 ZN DIN 931	1	0
11	3020014	NUT	M20 ZN DIN 936	8	0
12	3030047	WASHER	M12/13 ZN DIN 126	8	0.01
13	3020001	NUT	M8 ZN DIN 985	1	0.01
14	3110259	O-RING	104.5X3 90 SHORE	4	0.02
15	3090901	CONNECTOR	6010-06-06	1	0.05
16	21510224	CONNECTOR	RESTRICTOR CASING	1	0.05
17	21510226	RESTRICTOR	M10X10/D=1.5	1	0
18	3110040	USIT-SEAL	R-06 R 3/8"	2	0

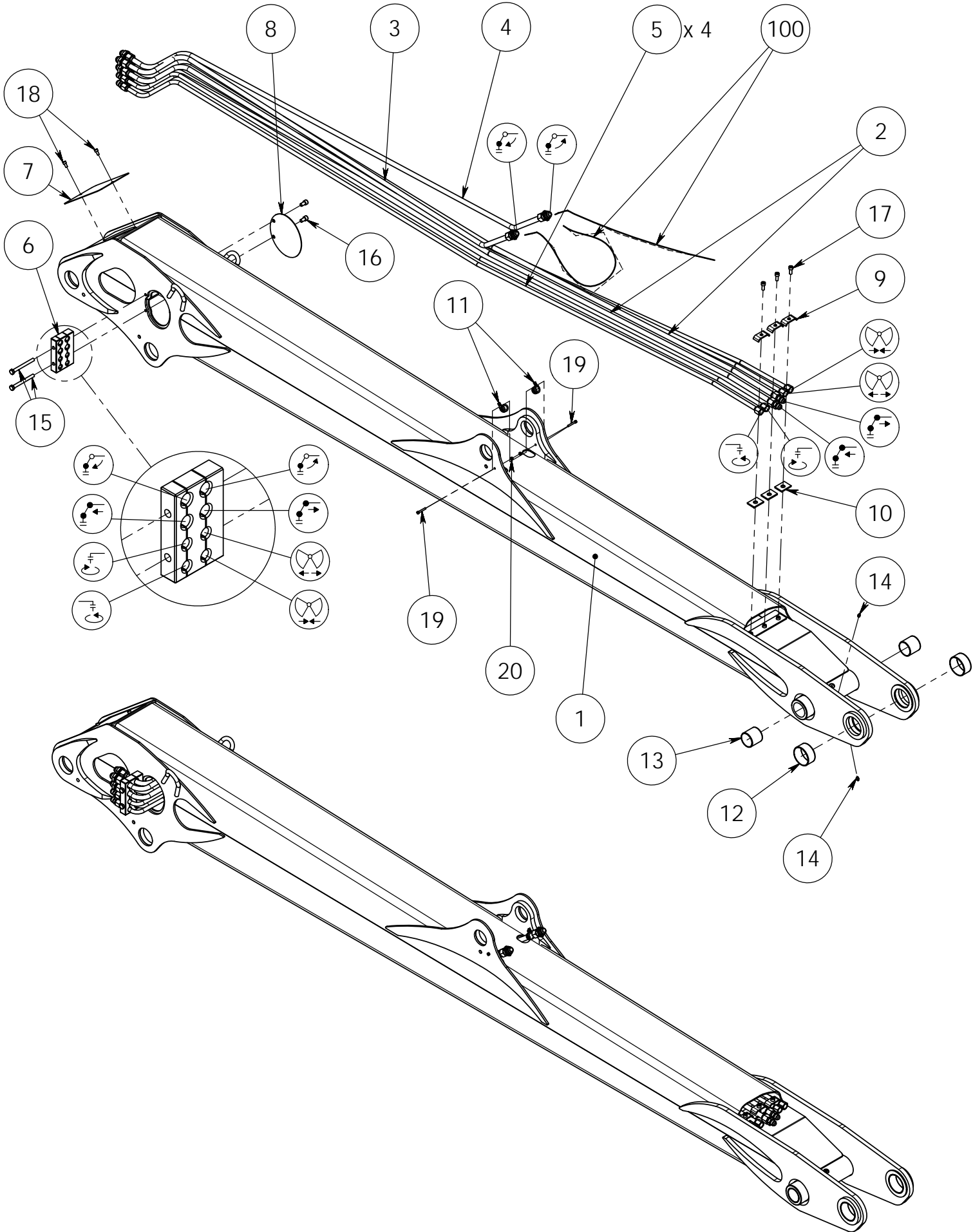


Item code	90026187	Revision	A
Title	LIFT BOOM	Date	10.04.2013
Specification	L=4050 VAR		

Pos	Item code	Title	Specification	Pc	Nto Weight
1	90026080	LIFT BOOM	L=4050	1	266.66
2	90026218	HYDRAULIC PIPE	1 KOK	2	3.97
3	90026201	HYDRAULIC PIPE	2 OIKEA KOK	1	2.52
4	90026405	HYDRAULIC PIPE	3 OIKEA KOK	1	2.52
5	90026221	HYDRAULIC PIPE	4 KOK	4	2.46
6	90026188	FASTENER	2109, 2110	1	1.11
7	90023441	COVER		1	0.76
8	90025045	COVER		1	0.44
9	90010442	FASTENER	LT4X30-72	3	0.07
10	90010443	RUBBER	5X55-40	3	0.01
11	3090162	CONNECTOR		2	0.04
12	3100258	BUSHING	WB 802 8040	2	0.2
13	3100194	BUSHING	WB 802 6060	2	0.23
14	3050003	GREASE NIPPLE	M8X1,25 DIN 71412	2	0
15	3010122	HEW SCREW	M12X120 8.8 ZN DIN 931	2	0
16	3010604	ALLEN SCREW	M12X20 8.8 DIN 912	2	0
17	3010685	ALLEN SCREW	M10X25 8.8 ZN DIN 912	3	0
18	3010292	ALLEN SCREW	M8X16 8.8 ZN DIN 912	2	0
19	3010583	ALLEN SCREW	M6X40 8.8 ZN DIN 912	2	0
20	3020061	NUT	M6 ZN DIN 985	2	0
100	3133314	HYDRAULIC HOSE	A50064-12-12/712L-12/A50005-12-12/L=920	2	0

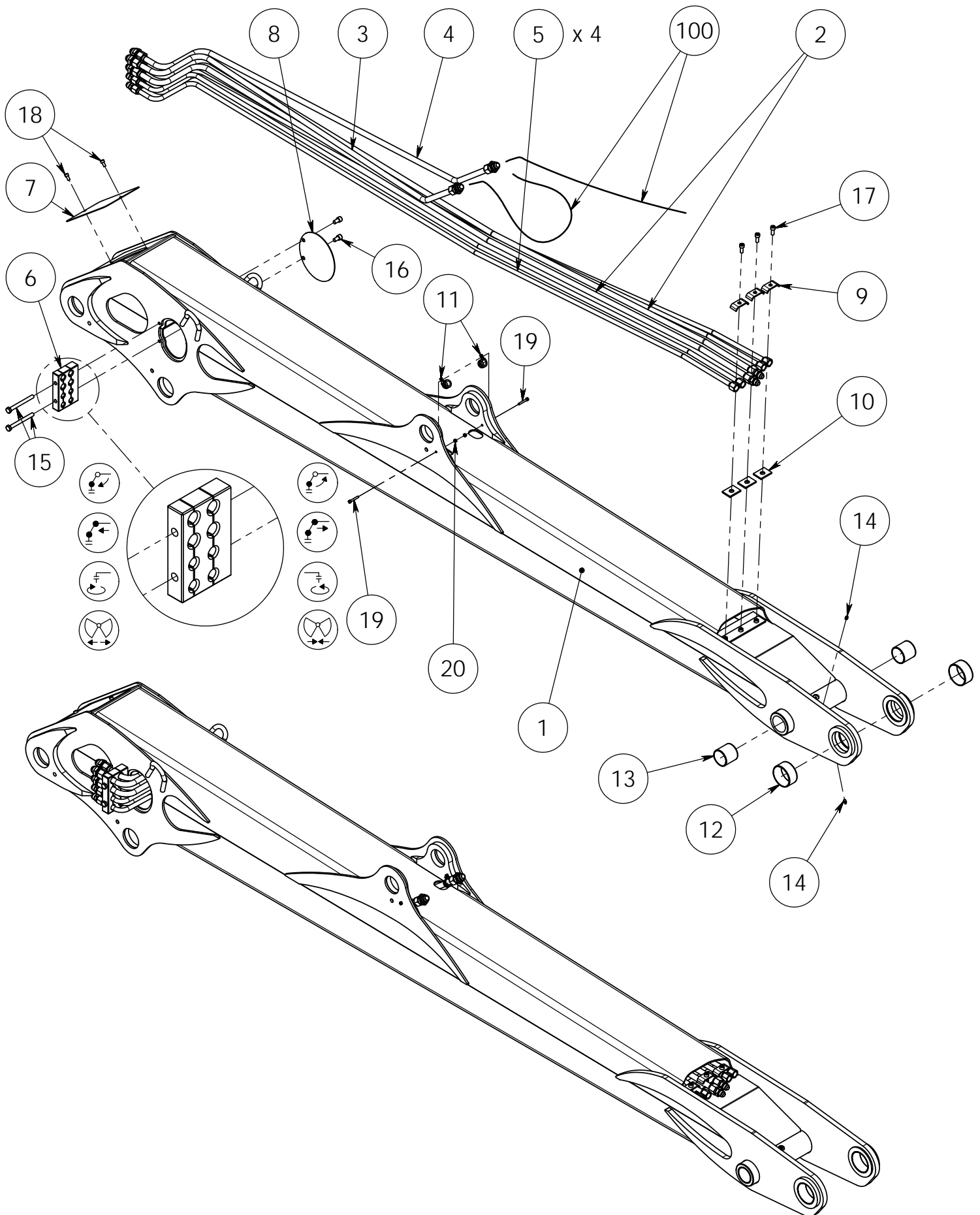
90026434

2110 L=4550



Item code	90026434	Revision	-
Title	LIFT BOOM	Date	05.06.2013
Specification	L=4550 VAR		

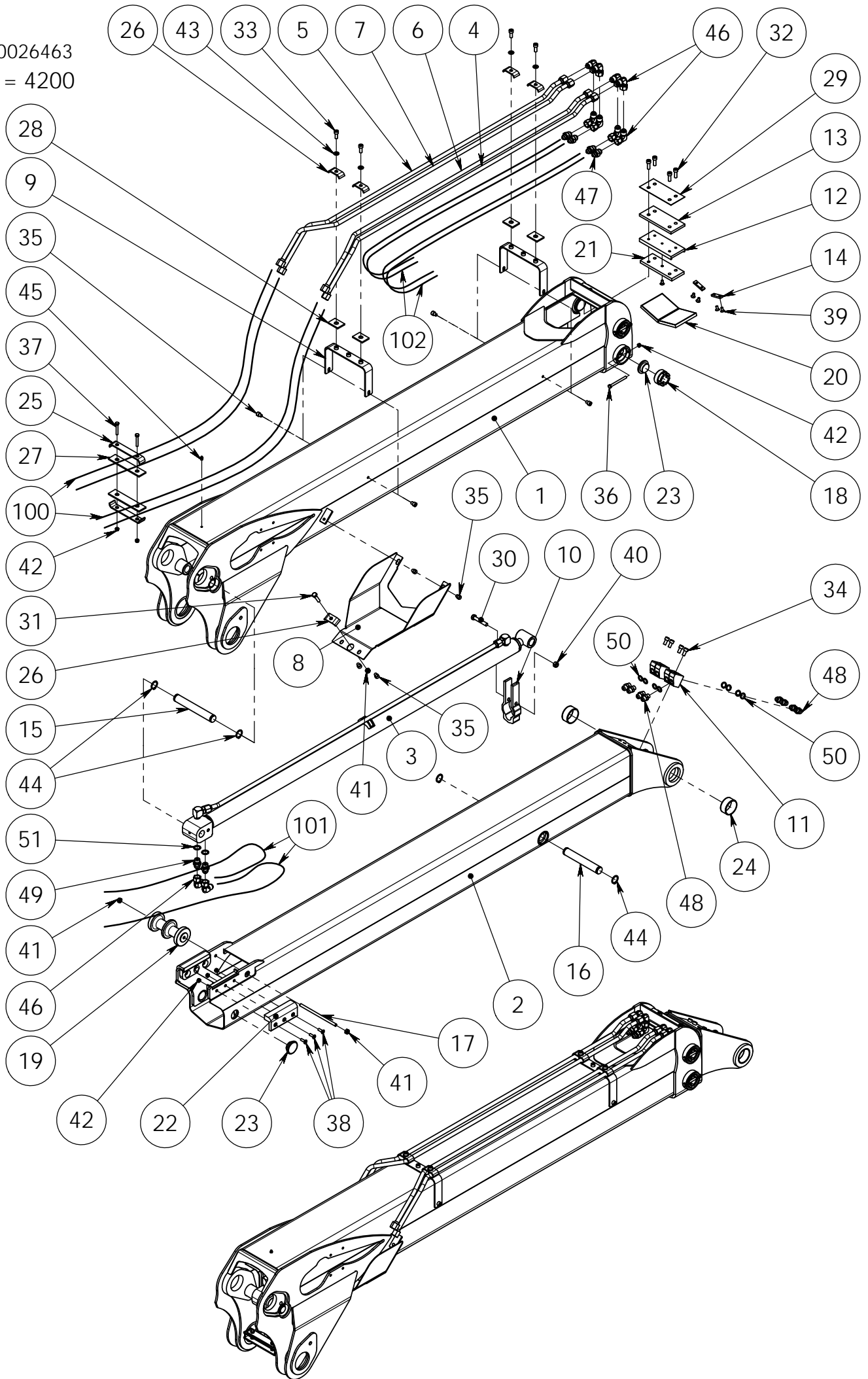
Pos	Item code	Title	Specification	Pc	Nto Weight
1	90026435	LIFT BOOM	L=4550	1	291.09
2	90026447	HYDRAULIC PIPE	1 OIKEA KOK	2	4.51
3	90026449	HYDRAULIC PIPE	2 OIKEA KOK	1	3.06
4	90026451	HYDRAULIC PIPE	3 OIKEA KOK	1	3.06
5	90026453	HYDRAULIC PIPE	4 KOK	4	2.8
6	90026188	FASTENER	2109, 2110	1	1.11
7	90023441	COVER		1	0.76
8	90025045	COVER		1	0.44
9	90010442	FASTENER	LT4X30-72	3	0.07
10	90010443	RUBBER	5X55-40	3	0.01
11	3090162	CONNECTOR		2	0.04
12	3100258	BUSHING	WB 802 8040	2	0.2
13	3100194	BUSHING	WB 802 6060	2	0.23
14	3050003	GREASE NIPPLE	M8X1,25 DIN 71412	2	0
15	3010122	HEW SCREW	M12X120 8.8 ZN DIN 931	2	0
16	3010604	ALLEN SCREW	M12X20 8.8 DIN 912	2	0
17	3010685	ALLEN SCREW	M10X25 8.8 ZN DIN 912	3	0
18	3010292	ALLEN SCREW	M8X16 8.8 ZN DIN 912	2	0
19	3010583	ALLEN SCREW	M6X40 8.8 ZN DIN 912	2	0
20	3020061	NUT	M6 ZN DIN 985	2	0
100	3133314	HYDRAULIC HOSE	A50064-12-12/712L-12/A50005-12-12/L=920	2	0



Item code	90026503	Revision	-
Title	LIFT BOOM	Date	05.07.2013
Specification	L=3950 VAR		

Pos	Item code	Title	Specification	Pc	Nto Weight
1	90026504	LIFT BOOM	L=3950	1	262.53
2	90026505	HYDRAULIC PIPE	1 OIKEA KOK	2	3.86
3	90026508	HYDRAULIC PIPE	2 OIKEA KOK	1	2.41
4	90026510	HYDRAULIC PIPE	3 OIKEA KOK	1	2.41
5	90026511	HYDRAULIC PIPE	4 KOK	4	2.39
6	90026188	FASTENER	2109, 2110	1	1.11
7	90023441	COVER		1	0.76
8	90025045	COVER		1	0.44
9	90010442	FASTENER	LT4X30-72	3	0.07
10	90010443	RUBBER	5X55-40	3	0.01
11	3090162	CONNECTOR		2	0.04
12	3100258	BUSHING	WB 802 8040	2	0.2
13	3100194	BUSHING	WB 802 6060	2	0.23
14	3050003	GREASE NIPPLE	M8X1,25 DIN 71412	2	0
15	3010122	HEW SCREW	M12X120 8.8 ZN DIN 931	2	0
16	3010604	ALLEN SCREW	M12X20 8.8 DIN 912	2	0
17	3010685	ALLEN SCREW	M10X25 8.8 ZN DIN 912	3	0
18	3010292	ALLEN SCREW	M8X16 8.8 ZN DIN 912	2	0
19	3010583	ALLEN SCREW	M6X40 8.8 ZN DIN 912	2	0
20	3020061	NUT	M6 ZN DIN 985	2	0
100	3133314	HYDRAULIC HOSE	A50064-12-12/712L-12/A50005-12-12/L=920	2	0

90026463
L = 4200



Item code	90026463	Revision	B
Title	OUTER BOOM	Date	03.07.2013
Specification	L= 4200 1-JATK		

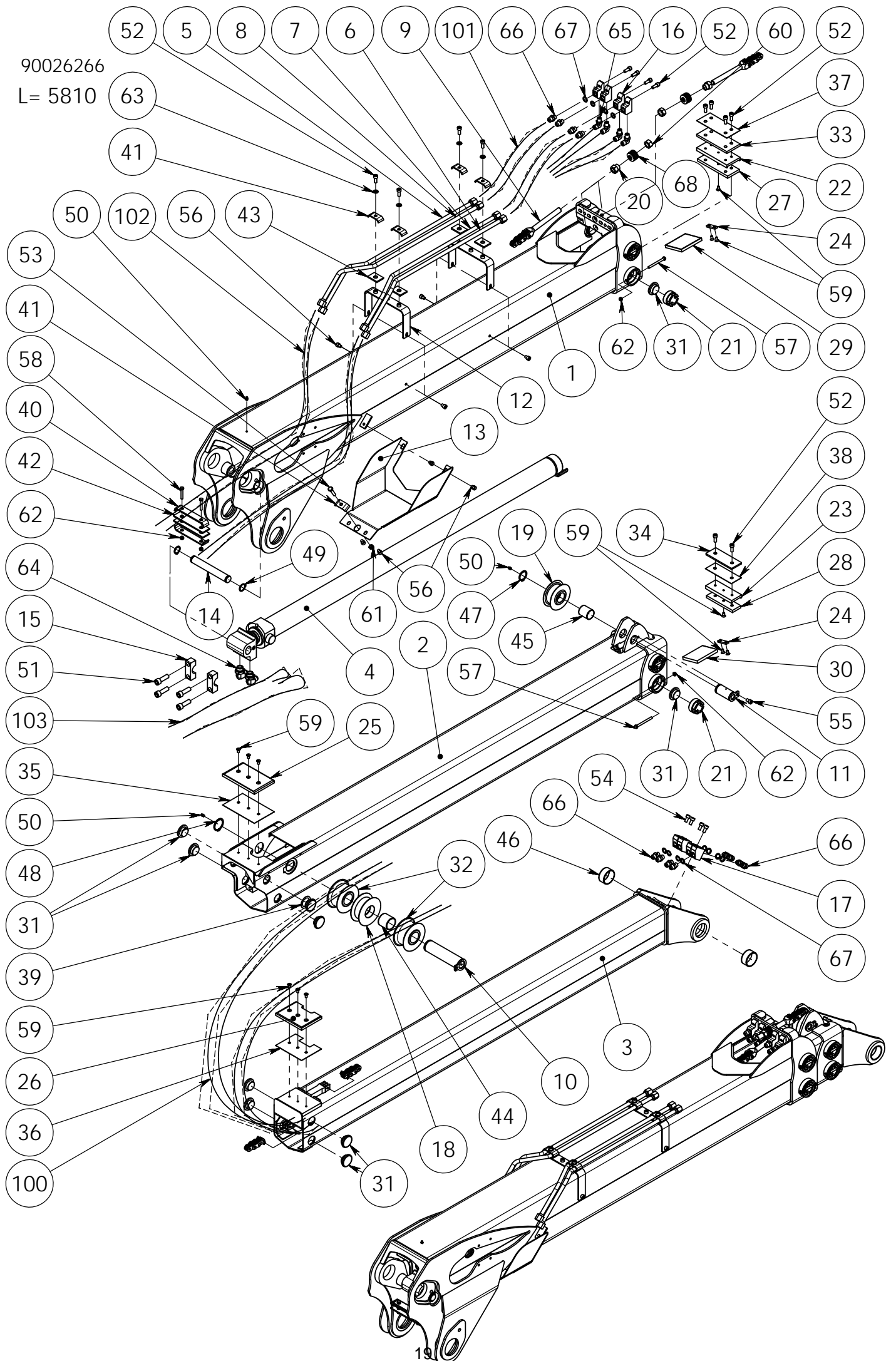
Pos	Item code	Title	Specification	Pc	Nto Weight
1	90026456	OUTER BOOM	L=2340	1	138.23
2	90026467	EXTENSION	L= 2650	1	83.1
3	28965001	EXTENSION CYLINDER	50/30X1600	1	29.39
4	90026488	PIPE	1 OIKEA KOK	1	1.28
5	90026492	PIPE	1 VASEN KOK	1	1.28
6	90026490	PIPE	2 OIKEA KOK	1	1.28
7	90026494	PIPE	2 VASEN KOK	1	1.28
8	90026361	COVER	HITS	1	3.41
9	90025729	FASTENER	L=224 HITS	2	0.61
10	90017083	SUPPORT	NURJAHDUSTUKI	1	1.09
11	90026319	CONNECTOR	R 3/8"	4	0.42
12	90020556	FASTENER	L-180	1	1.18
13	90023238	PLATE		1	1.09
14	90010345	HOLDER		2	0.03
15	90017084	AXLE	30-214	1	1.18
16	90021934	AXLE	30X196	1	1.08
17	90026498	PIN BOLT	M10 - 203	1	0.12
18	90016090	FASTENER		4	0.35
19	90026482	ROLL		1	0.42
20	90020562	GLIDE PAD	120X100	2	0.17
21	90020563	GLIDE PAD	70X180	1	0.17
22	90026500	GLIDE PAD	L=150	2	0.2
23	90011001	GLIDE PAD	D=55-19/7	6	0.03
24	3100225	BUSHING	WB 802 6030	2	0.11
25	21039336	PIPE CLAMP	LT4X30-191	2	0.17
26	90010442	FASTENER	LT4X30-72	5	0.07
27	90019549	RUBBER	5X40-175	2	0.26
28	90010443	RUBBER	5X55-40	4	0.01
29	90020567	PLATE	80X180	1	0.11
30	3010152	HEW SCREW	M12X70 8.8 ZN DIN 931	1	0
31	3010159	HEW SCREW	M10X45 8.8 ZN DIN 931	1	0
32	3010248	ALLEN SCREW	M10X30 8.8 ZN DIN 912	4	0
33	3010685	ALLEN SCREW	M10X25 8.8 ZN DIN 912	4	0
34	3010192	ALLEN SCREW	M10X20 8.8 ZN DIN 912	4	0
35	3010297	ALLEN SCREW	M10X12 8.8 ZN DIN 912	8	0
36	3010328	HEW SCREW	M8X90 8.8 ZN DIN 931	4	0

Item code	90026463	Revision	B
Title	OUTER BOOM	Date	03.07.2013
Specification	L= 4200 1-JATK		

Pos	Item code	Title	Specification	Pc	Nto Weight
37	3010072	HEW SCREW	M8X50 8.8 ZN DIN 931	2	0
38	3010300	ALLEN SCREW	M8X25 10.9 ZN DIN 7991	6	0
39	3010190	ALLEN SCREW	M8X16 10.9 DIN 7991	5	0
40	3020005	NUT	M12 ZN DIN 985	1	0.02
41	3020004	NUT	M10 ZN DIN 985	3	0.01
42	3020001	NUT	M8 ZN DIN 985	12	0.01
43	3030003	WASHER	M10/11 ZN DIN 126	4	0
44	3060092	SNAP RING	AS 30X2 ZN DIN 471	4	0
45	3050003	GREASE NIPPLE	M8X1,25 DIN 71412	1	0
46	3091183	CONNECTOR	1130-10-10	10	0.19
47	3090907	CONNECTOR	1010-08-10	4	0.1
48	3090604	CONNECTOR	6010-06-08	8	0.07
49	3090289	CONNECTOR	29-6010-08-10	2	0.11
50	3110040	USIT-SEAL	R-06 R 3/8"	8	0
51	3110042	USIT-SEAL	R-08 R 1/2"	2	0.01
100	3133306	HYDRAULIC HOSE	500200-10-08/241T-08/500200-10-08/L=1300	4	0
101	3133317	HYDRAULIC HOSE	A50005-10-08/241T-08/A50005-10-08/L=1400	2	0
102	3133342	HYDRAULIC HOSE	A50005-08-06/23-111-06/A50005-08-06/L=4600	2	0

90026266

L= 5810

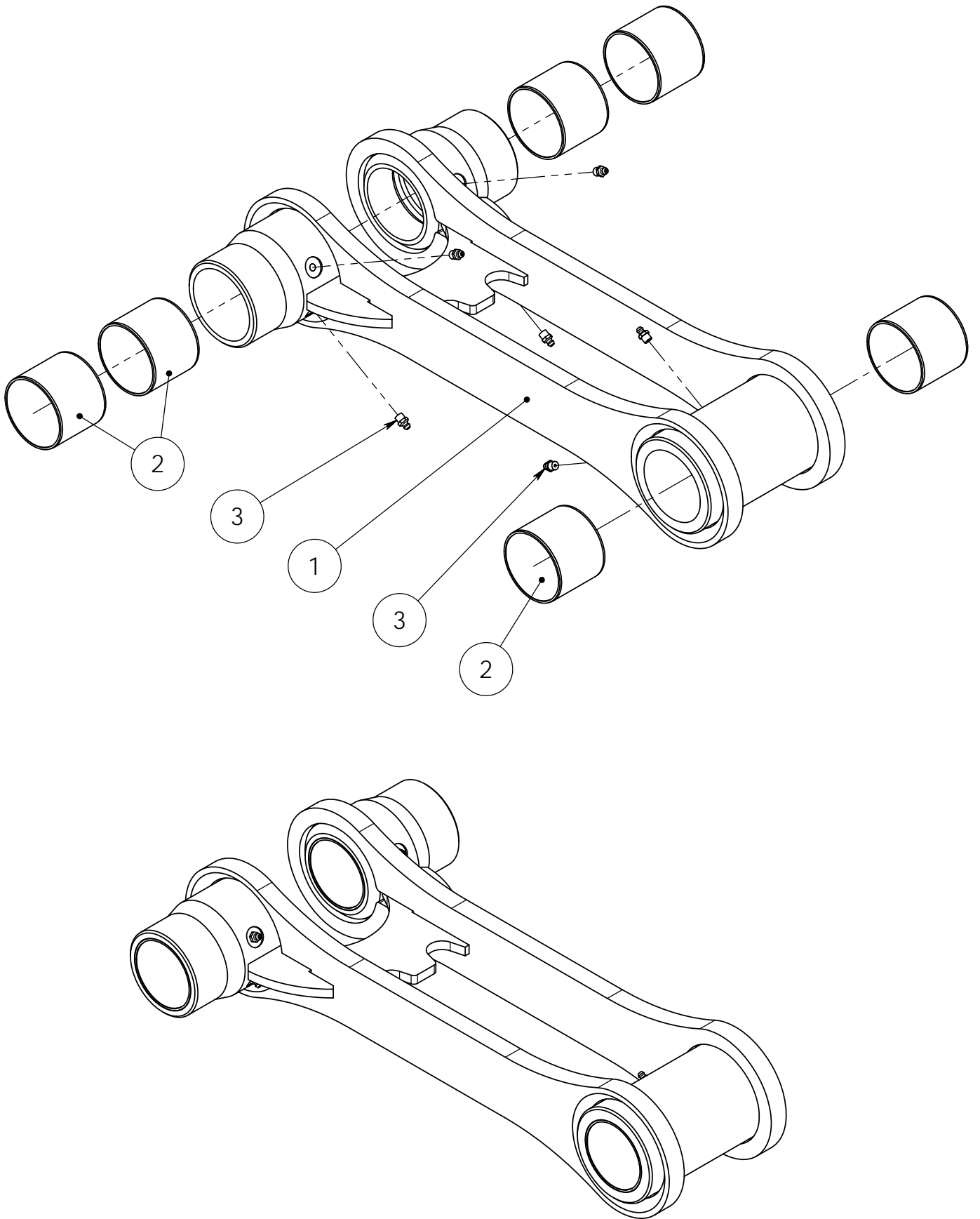


Item code	90026266	Revision	G
Title	OUTER BOOM	Date	26.03.2013
Specification	L=5810 2-JATK		

Pos	Item code	Title	Specification	Pc	Nto Weight
1	90026109	OUTER BOOM	L=2240	1	135.41
2	90026295	EXTENSION 1	L= 2450	1	77.03
3	90026308	EXTENSION	2 HITS	1	68.51
4	28960001	EXTENSION CYLINDER	75/50X1600	1	48.62
5	90026257	PIPE	1 VASEN KOK	1	0.78
6	90026191	PIPE	1 OIKEA KOK	1	0.78
7	90026338	PIPE	2 OIKEA KOK	1	0.78
8	90026340	PIPE	2 VASEN KOK	1	0.78
9	90026335	CHAIN	3X4 (81 LENKKIÄ) KOK	2	0.94
10	90026304	AXLE	50 - 203 HITS	1	3.02
11	90023021	AXLE	40-88	1	0.82
12	90025729	FASTENER	L=224 HITS	2	0.61
13	90026361	COVER	HITS	1	3.4
14	90017084	AXLE	30-214	1	1.18
15	90019106	COVER		2	0.37
16	90023027	CONNECTOR	R 3/8"	4	0.31
17	90026319	CONNECTOR	R 3/8"	4	0.42
18	90026300	WHEEL	100	1	2.61
19	90021697	WHEEL	R1", 3X4, D90	1	1.96
20	90017520	NUT	M20-30	2	0.09
21	90016090	FASTENER		8	0.35
22	90020556	FASTENER	L-180	1	1.18
23	90023050	FASTENER		1	0.77
24	90010345	HOLDER		4	0.03
25	90020561	GLIDE PAD	120X190	1	0.31
26	90014887	GLIDE PAD	120X155	1	0.24
27	90020563	GLIDE PAD	70X180	1	0.17
28	90023052	GLIDE PAD	12X50X155	1	0.08
29	90020562	GLIDE PAD	120X100	2	0.17
30	90014768	GLIDE PAD	12 X 90 X 120	2	0.15
31	90011001	GLIDE PAD	D=55-19/7	16	0.03
32	90026299	ROLL	105	2	0.51
33	90023238	PLATE		1	1.09
34	90023239	PLATE		1	0.43
35	90020566	PLATE	119X190	1	0.18
36	90017085	PLATE	119X155	1	0.13

Item code	90026266	Revision	G
Title	OUTER BOOM	Date	26.03.2013
Specification	L=5810 2-JATK		

Pos	Item code	Title	Specification	Pc	Nto Weight
37	90020567	PLATE	80X180	1	0.11
38	90023240	PLATE	60 X 155	1	0.07
39	21039422	SHIM	1XD=55	1	0.01
40	21039336	PIPE CLAMP	LT4X30-191	2	0.17
41	90010442	FASTENER	LT4X30-72	5	0.07
42	90019549	RUBBER	5X40-175	2	0.26
43	90010443	RUBBER	5X55-40	4	0.01
44	3100257	BUSHING	WB 802 5050	1	0.16
45	3100188	BUSHING	WB 802 4050	1	0.1
46	3100225	BUSHING	WB 802 6030	2	0.11
47	3060100	SNAP RING	AS 40X2.5 ZN DIN 471	1	0
48	3060099	SNAP RING	AS 50X3 ZN DIN 471	1	0
49	3060092	SNAP RING	AS 30X2 ZN DIN 471	2	0
50	3050003	GREASE NIPPLE	M8X1.25 DIN 71412	3	0
51	3010301	ALLEN SCREW	M16X50 12.9 DIN 912	4	0
52	3010685	ALLEN SCREW	M10X25 8.8 ZN DIN 912	14	0
53	3010159	HEW SCREW	M10X45 8.8 ZN DIN 931	1	0
54	3010192	ALLEN SCREW	M10X20 8.8 ZN DIN 912	4	0
55	3010898	ALLEN SCREW	M10X16 8.8 ZN DIN 912	1	0
56	3010297	ALLEN SCREW	M10X12 8.8 ZN DIN 912	8	0
57	3010328	HEW SCREW	M8X90 8.8 ZN DIN 931	8	0
58	3010072	HEW SCREW	M8X50 8.8 ZN DIN 931	2	0
59	3010190	ALLEN SCREW	M8X16 10.9 DIN 7991	16	0
60	3020032	NUT	M20 ZN DIN 934/8	2	0
61	3020004	NUT	M10 ZN DIN 985	1	0.01
62	3020001	NUT	M8 ZN DIN 985	10	0.01
63	3030003	WASHER	M10/11 ZN DIN 126	4	0
64	3091465	CONNECTOR	6310-12-10	2	0.3
65	3090630	CONNECTOR (ANGLE)	6310-06-08	4	0.1
66	3090604	CONNECTOR	6010-06-08	12	0.07
67	3110040	USIT-SEAL	R-06 R 3/8"	12	0
68	3300150	SPRING	40X20.4X2.5 SF-TAF DIN 2093	16	0
100	3133303	HYDRAULIC HOSE	A50005-08-06/261E-06/A50005-08-06/L=4200	4	0
101	3132997	HYDRAULIC HOSE	A50005-08-08/241T-08/500200-10-08/L=600	4	
102	3133306	HYDRAULIC HOSE	500200-10-08/241T-08/500200-10-08/L=1300	4	0
103	3133317	HYDRAULIC HOSE	A50005-10-08/241T-08/A50005-10-08/L=1400	2	0

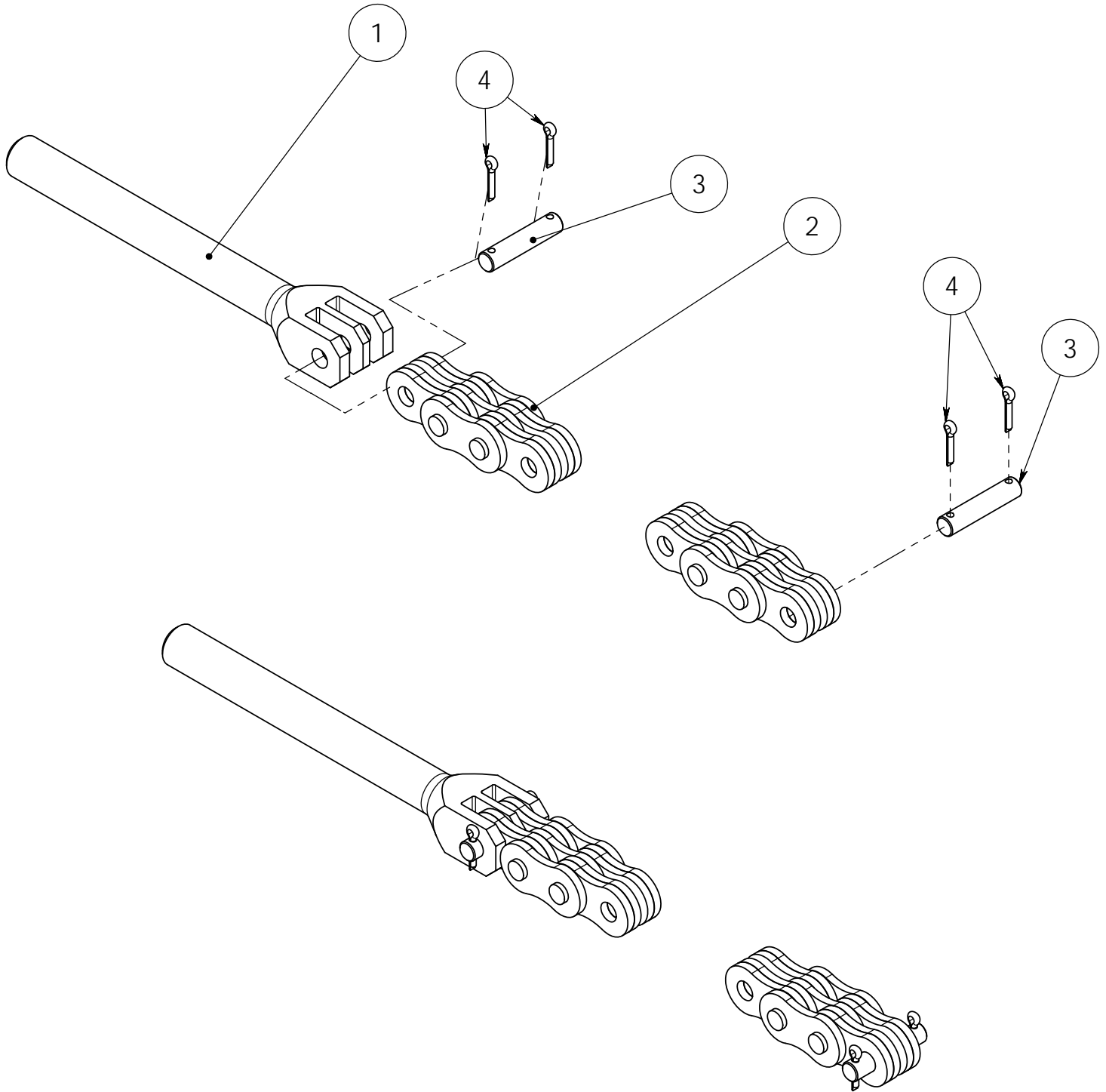


Item code	90026176	Revision	-
Title	DRAW BAR	Date	25.02.2013
Specification	VAR		

Pos	Item code	Title	Specification	Pc	Nto Weight
1	90026147	DRAW BAR	VAR	1	22.75
2	3100185	BUSHING	WB 802 7060	6	0.27
3	3050003	GREASE NIPPLE	M8X1,25 DIN 71412	6	0

90026335

3 x 4/ 87 LINKS

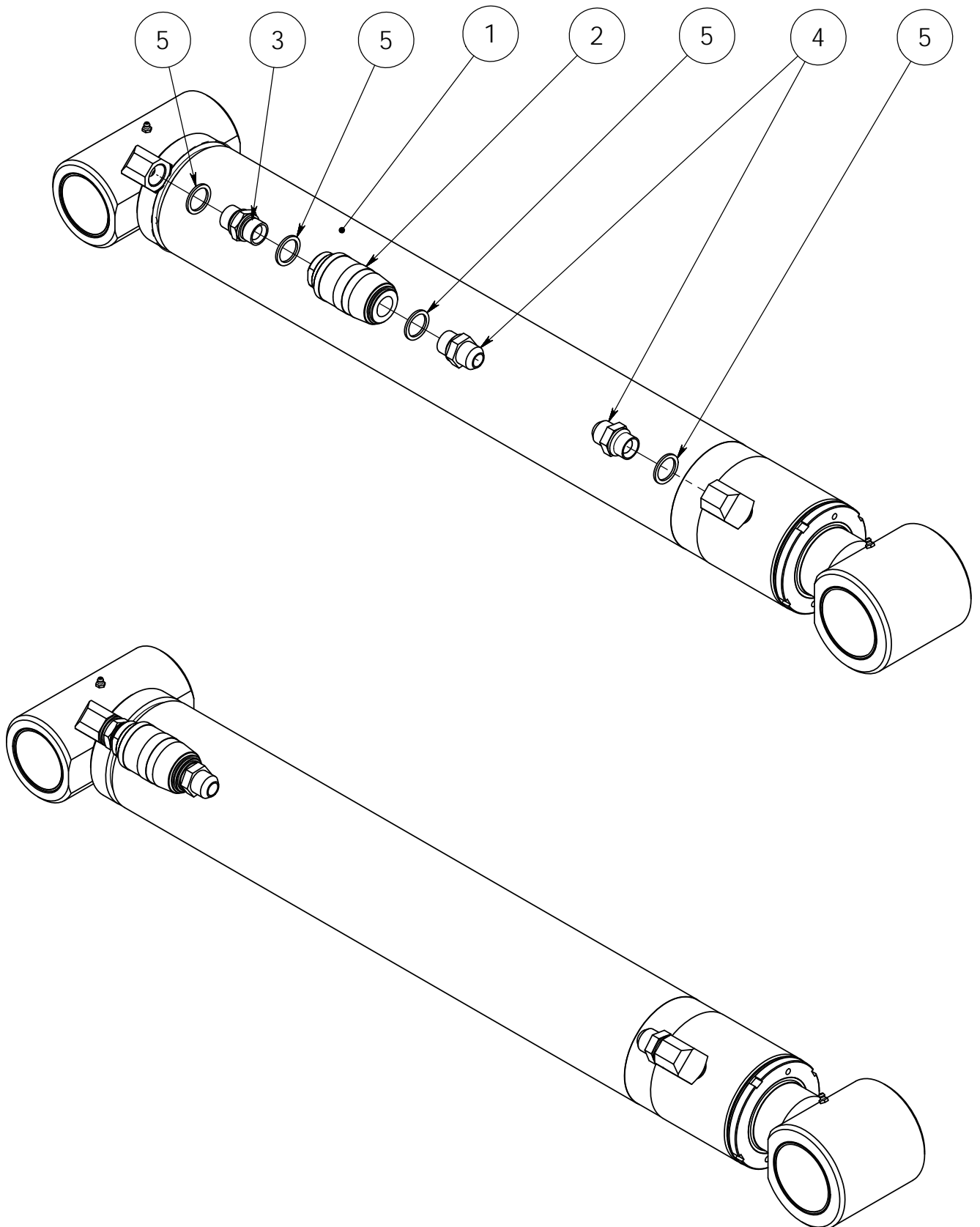


Item code	90026335	Revision	-
Title	CHAIN	Date	24.04.2013
Specification	3X4 (81 LENKKIÄ) KOK		

Pos	Item code	Title	Specification	Pc	Nto Weight
1	90021136	TENSIONER	R 1"	1	0.6
2	3190118	CHAIN	LH1634, DIN8152, R 1" L=2057 81 LENKKIÄ	1	0.33
3	3190184	PIN	LIITINTAPPI D=9,53-43,7 KETJULLE BL834	2	0.02
4	3040060	COTTER PIN	3,2X20 ZN DIN 94	4	0

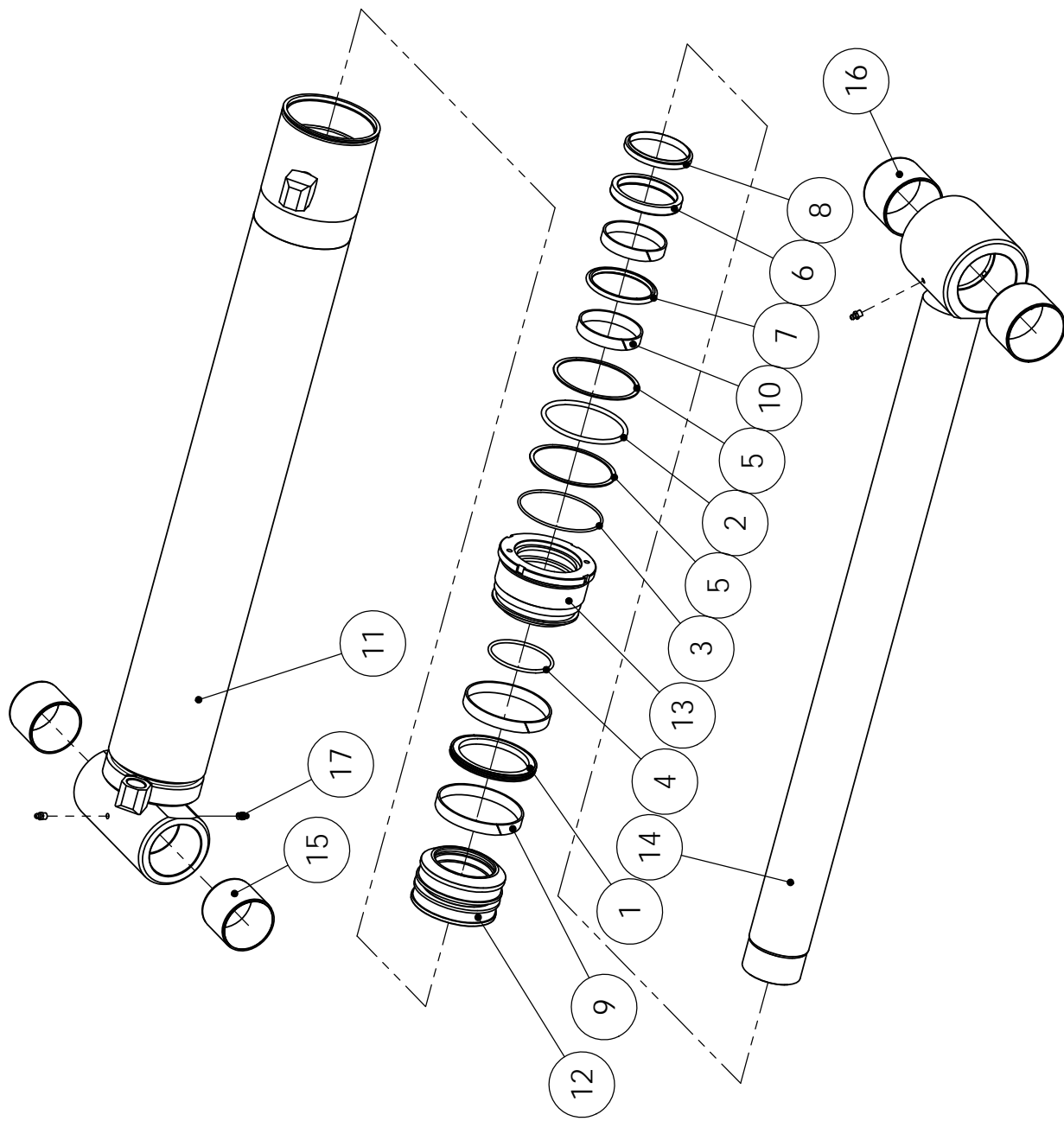
90026538

∅ 115/80x810



Item code	90026538	Revision	-
Title	MAIN LIFTING CYLINDER	Date	14.08.2013
Specification	115/80 X 810 NOSTOSYLINTERI 2109		

Pos	Item code	Title	Specification	Pc	Nto Weight
1	28967001	MAIN LIFTING CYLINDER	115/80X810	1	69.44
2	3120235	CHECK VALVE		1	1.24
3	3090185	CONNECTOR (STRAIGHT)	04000-12	1	0.14
4	3090918	CONNECTOR (STRAIGHT)	R 3/4" -1 1/16" JIC 26-04001-12-12	2	0.16
5	3110130	USIT-SEAL	R-12 R 3/4"	4	0.01



28967001 NOSTOSYLINTERI

VARAOSAT \ RESERVDELAR \ SPARE PARTS \ ERSATZTEIL



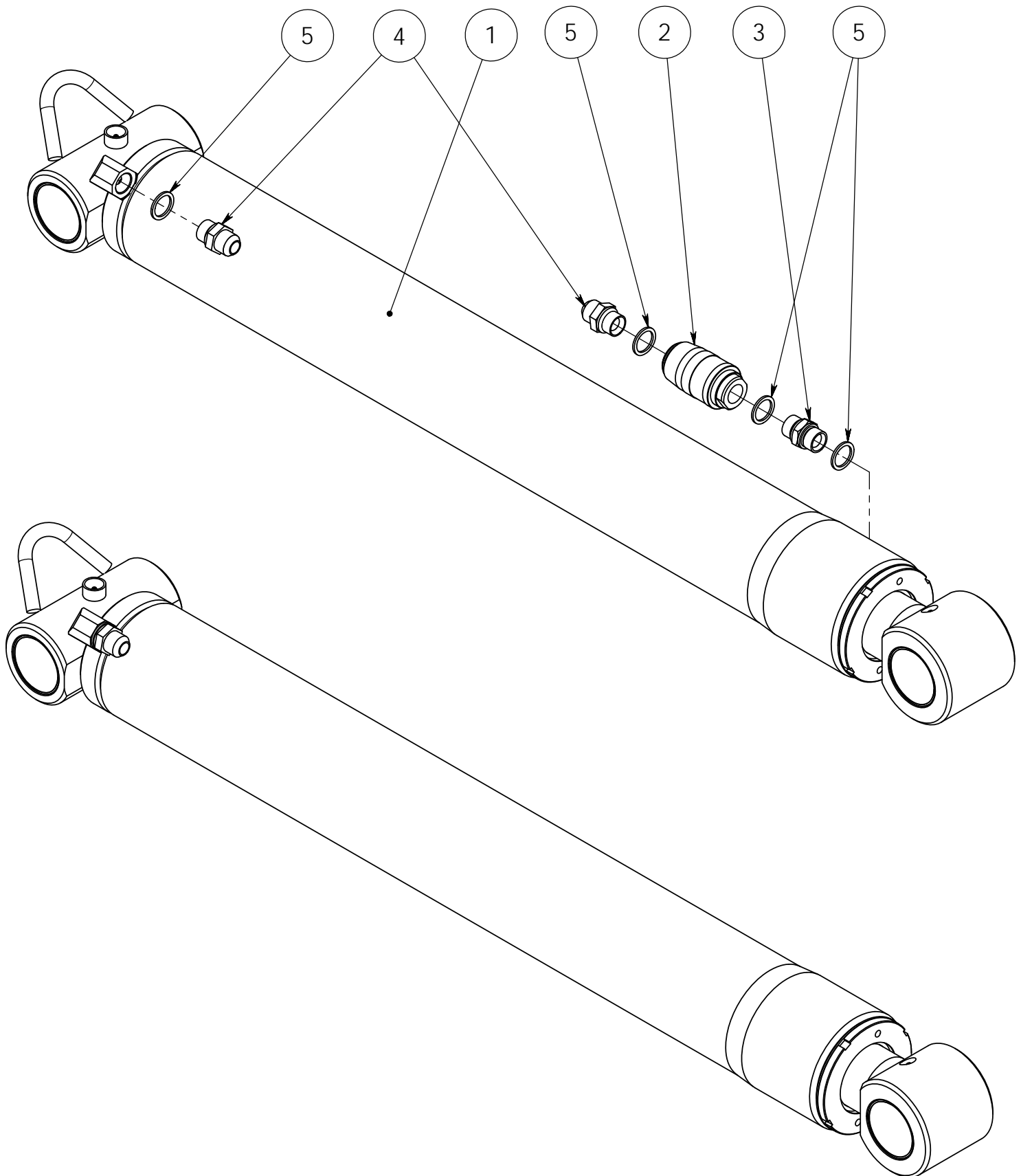
SPARE PART LIST

Item code	28967001	Revision	-
Title	NOSTOSYLINTERI	Date	30.08.2013
Specification	115/80X810		

Pos	Item code	Title	Specification	Dimensions	Pc	Amount	Unit	Nto Weight
1	3110854	MÄNNÄNTIIVISTE KOLV TÄTNING PISTON SEAL KOLBENDICHTUNG	300 115/94X7.8		1			0.21
2	3110626	O-RENGAS O-RING O-RING O-RING	104.2X5.7 90 SHORE		1			0.07
3	3110290	O-RENGAS O-RING O-RING O-RING	108X3.0 70 SHORE		1			0.02
4	3111083	O-RENGAS O-RING O-RING O-RING	80.0X4 90 SHORE NBR		1			0.03
5	3110627	TUKIRENGAS STÖDRING SUPPORTING RING STÜTZRING	TR 115/105X1.7 PU		2			0
6	3110251	VARRENTIIVISTE KOLVSTÄNGSTÄTNING ROD SEAL DICHTUNG FÜR KOLBENSTANGE	NI 300 80/95X12		1			0.16
7	3110880	VARRENTIIVISTE KOLVSTÄNGSTÄTNING ROD SEAL DICHTUNG FÜR KOLBENSTANGE	OMS-MR 80/95.1X6		1			0.08
8	3110111	LUOVUJIN AVSTRYKARE WIPER SEAL ABSTREIFER	GA 80/90X7/10		1			0.08
9	3111108	MÄNNÄNOHJAIN KOLV STYRNING PISTON GUIDE KOLBENFÜHRUNG	KB 115/110X14.8		2			0.1
10	3111085	OHJAIN STYRNING GUIDANCE STEUERUNG	SBK 80/85X14.8		2			0.07
11	28967101	SYLINTERIPUTKI CYLINDERERRÖR CYLINDER BARREL ZYLINDERROHR	115/80X810		1			31.05
12	28967201	MÄNTÄ KOLV PISTON KOLBEN	115	L=70	1			2.6
13	28967202	OHJAIN STYRNING GUIDANCE STEUERUNG	115/80	L=83	1			2.97
14	28961204	MÄNNÄNVARSI KOLVSTÄNG PISTON ROD KOLBENSTANGE	80/50-995		1			30.69
15	3100185	LIUKULAAKERI BUSSNING BUSHING GLEITLAGER	WB 802 7060		2			0.27
16	3100226	LIUKULAAKERI BUSSNING BUSHING GLEITLAGER	WB 802 8060		2			0.3
17	3050003	RASVANIPPA SMÖRJNIPPEL GREASE NIPPLE SCHMIERNIPPEL	M8X1.25 DIN 71412		4			0
-10	3111109	TIIVISTESARJA TÄTNINGSSETTS SEAL KIT DICHTUNGSSATZ	115/80		1			

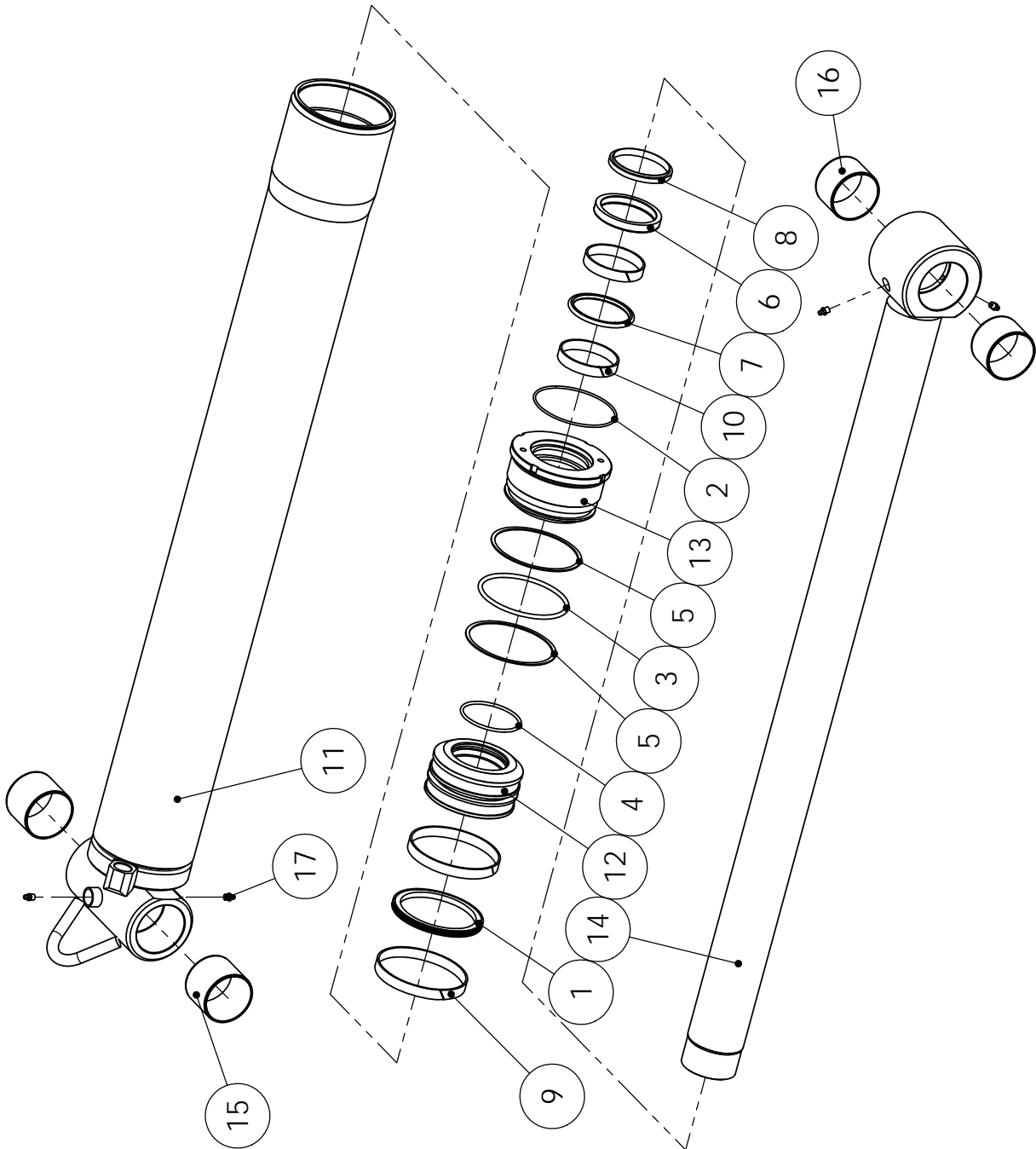
90026696

∅ 130/80x1036



Item code	90026696	Revision	-
Title	CYLINDER	Date	28.10.2013
Specification	130/80 X 1036 SIIRTOSYLINTERI 2110		

Pos	Item code	Title	Specification	Pc	Nto Weight
1	28970001	OUTER BOOM CYLINDER	130/80X1036	1	88.17
2	3120235	CHECK VALVE		1	1.24
3	3090185	CONNECTOR (STRAIGHT)	04000-12	1	0.14
4	3090918	CONNECTOR (STRAIGHT)	R 3/4" -1 1/16" JIC 26-04001-12-12	2	0.16
5	3110130	USIT-SEAL	R-12 R 3/4"	4	0.01



28970001 SIIRTOSYLINTERI

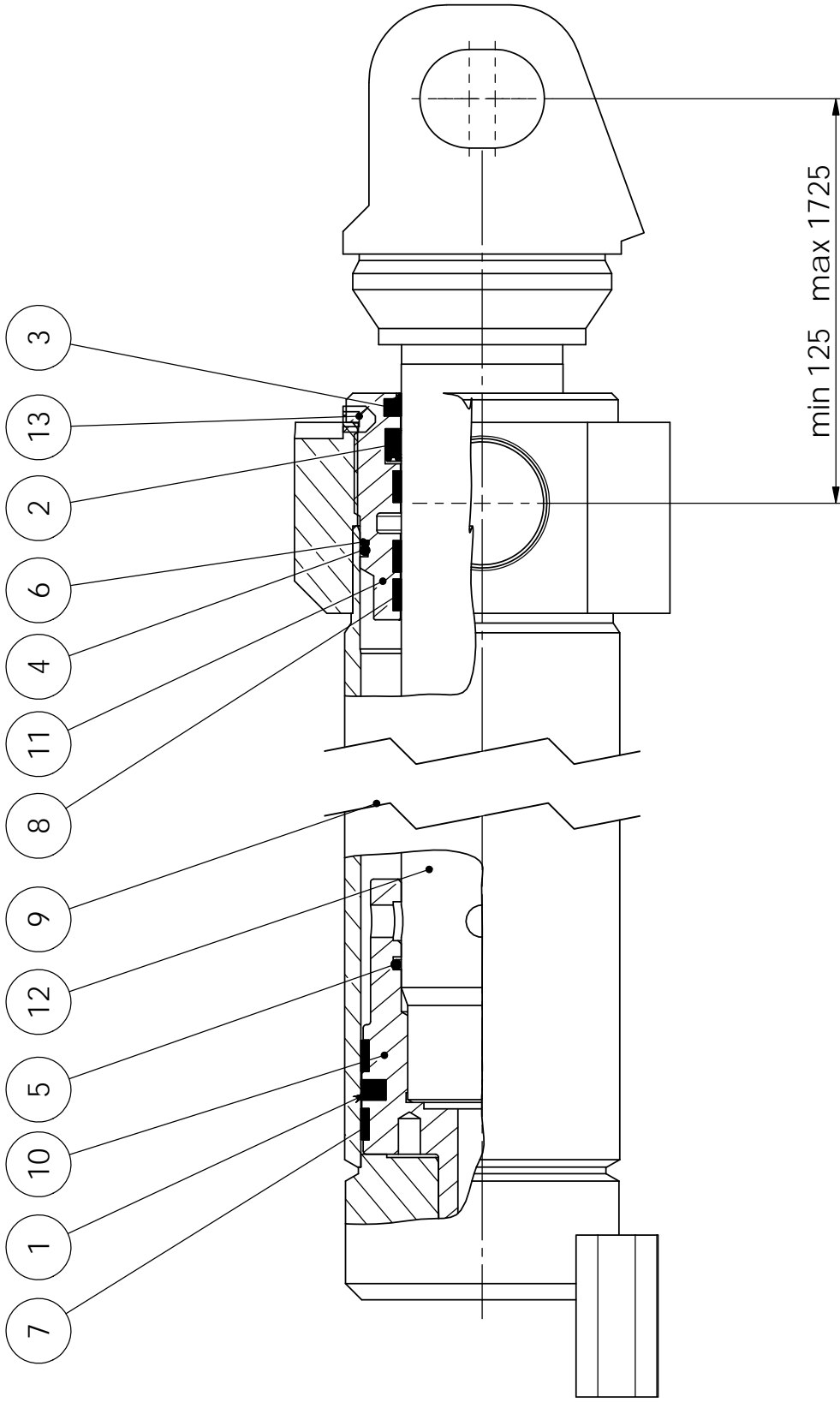
VARAOSAT \ RESERVDELAR \ SPARE PARTS \ ERSATZTEIL



SPARE PART LIST

Item code	28970001	Revision	-
Title	SIIRTOSYLINTERI	Date	15.10.2013
Specification	130/80X1036		

Pos	Item code	Title	Specification	Dimensions	Pc	Amount	Unit	Nto Weight
1	3111088	MÄNNÄNTIIVISTE KOLV TÄTNIING PISTON SEAL KOLBENDICHTUNG	SIMKO 300 130/109X7.8		1			0.24
2	3110400	O-RENGAS O-RING O-RING O-RING	114.5X3.0 90 SHORE		1			0.02
3	3110322	O-RENGAS O-RING O-RING O-RING	119.3X5.7 90 SHORE		1			0.08
4	3111083	O-RENGAS O-RING O-RING O-RING	80.0X4 90 SHORE NBR		1			0.03
5	3110479	TUKIRENGAS STÖDRING SUPPORTING RING STÜTZRING	TR 130/120X1.7 PU		2			0.03
6	3110251	VARRENTIIVISTE KOLVSTÄNGSTÄTNIING ROD SEAL DICHTUNG FÜR KOLBENSTANGE	NI 300 80/95X12		1			0.16
7	3110880	VARRENTIIVISTE KOLVSTÄNGSTÄTNIING ROD SEAL DICHTUNG FÜR KOLBENSTANGE	OMS-MR 80/95.1X6		1			0.08
8	3110111	LUOVUJIN AVSTRYKARE WIPER SEAL ABSTREIFER	GA 80/90X7/10		1			0.08
9	3111120	MÄNNÄNOHJAIN KOLV STYRNING PISTON GUIDE KOLBENFÜHRUNG	KB 130/125X14.8		2			0.12
10	3111085	OHJAIN STYRNING GUIDANCE STEUERUNG	SBK 80/85X14.8		2			0.07
11	28970101	SYLINTERIPUTKI CYLINDER BARRER ZYLINDERROHR	130/80X1036		1			41.66
12	28970201	MÄNTÄ KOLV PISTON KOLBEN	130	L=68	1			3.99
13	28970202	OHJAIN STYRNING GUIDANCE STEUERUNG	130/80	L=83	1			4.79
14	28962204	MÄNNÄNVARSI KOLVSTÄNG PISTON ROD KOLBENSTANGE	80/50-		1			35.62
15	3100185	LIUKULAAKERI BUSSNING BUSHING GLEITLAGER	WB 802 7060		2			0.27
16	3100332	LIUKULAAKERI BUSSNING BUSHING GLEITLAGER	WB 802 7050		2			0.22
17	3050003	RASVANIPPA SMÖRNIPPEL GREASE NIPPLE SCHMIERNIPPEL	M8X1.25 DIN 71412		4			0
-10	3111121	TIIVISTESARJA TÄTNIINGSSATS SEAL KIT DICHTUNGSSATZ	130/80		1			



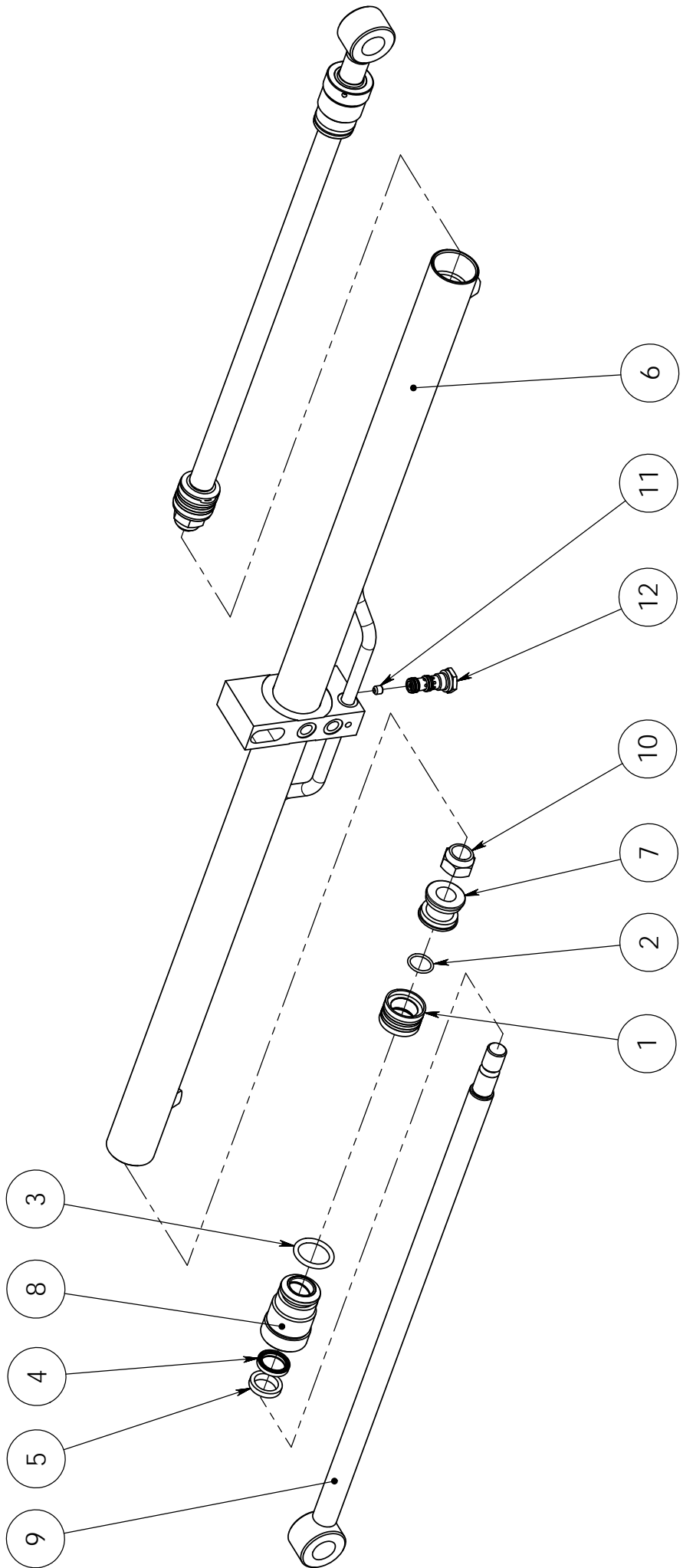
28960001



SPARE PART LIST

Item code	28960001	Revision	-
Title	EXTENSION CYLINDER	Date	07.05.2013
Specification	75/50X1600		

Pos	Item code	Title	Specification	Pc	Nto Weight
1	3110961	PISTON SEAL	SIMKO 300 75/59.5X6	1	0.08
2	3110019	ROD SEAL	NI 300 50/60X10	1	0.06
3	3110018	WIPER SEAL	PW 50	1	0.04
4	3110973	O-RING	69,5X3 90 SH	1	0.01
5	3110182	O-RING	50,2X3 90 SHORE	1	0.01
6	3110960	SUPPORTING RING	75/70X1,3 PU	1	0.01
7	3110962	GUIDANCE	MÁNNÁNOHJAIN 75/70X9,6 KUDOSBAK	2	0.04
8	3110958	GUIDANCE	VARRENOHJAIN 50/55X9,6 KUDOSBAK	3	0.03
9	28960101	CYLINDER BARREL	75/50X1600	1	21.33
10	28960201	PISTON	75	1	1.52
11	28849202	GUIDANCE	75/50	1	1.12
12	28960204	PISTON ROD	75/50X1600	1	24.09
13	3010175	ALLEN SCREW	M8X10 ZN DIN 914	1	0
1-8	3111093	SEAL KIT	75/50	1	



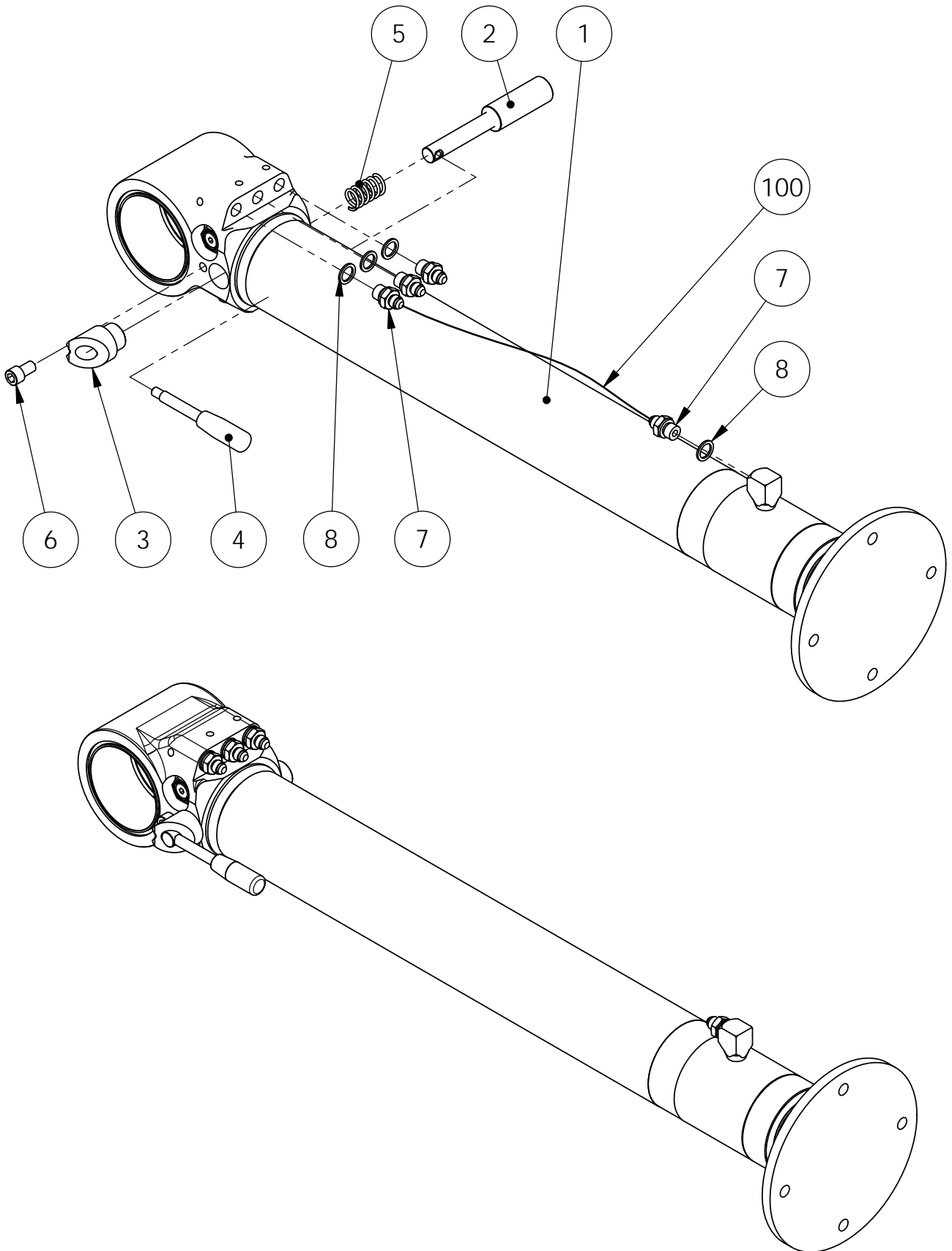


SPARE PART LIST

Item code	28862001	Revision	-
Title	CYLINDER	Date	08.06.2011
Specification	50/30X2X600		

Pos	Item code	Title	Specification	Pc	Nto Weight
1	3110013	PISTON SEAL	DAS 50/34X18	2	0.18
2	3110003	O-RING	26.2X3 70 SHORE	2	0.01
3	3110288	O-RING	39.2X5.7 90 SHORE	2	0.03
4	3110030	ROD SEAL	T22 30/40X7.3	2	0.02
5	3110313	WIPER SEAL	GA 30/40X7/10	2	0.03
6	28862101	CYLINDER BARREL	50/30X2X600	1	3.82
7	28337201	PISTON	D=50 DBM	2	0.26
8	28337202	GUIDANCE	50/30	2	0.82
9	28812204	PISTON ROD	50/30X2X600	2	4.91
10	3020026	NUT	M24 ZN DIN 985	2	0.11
11	21510225	RESTRICTOR	M10X10/D=1.0	1	0
12	3120843	VALVE		1	0.13
1-5	3110324	SEAL KIT	50/30	1	

90025603
90/70x620 RIGHT (FIXED FOOT)

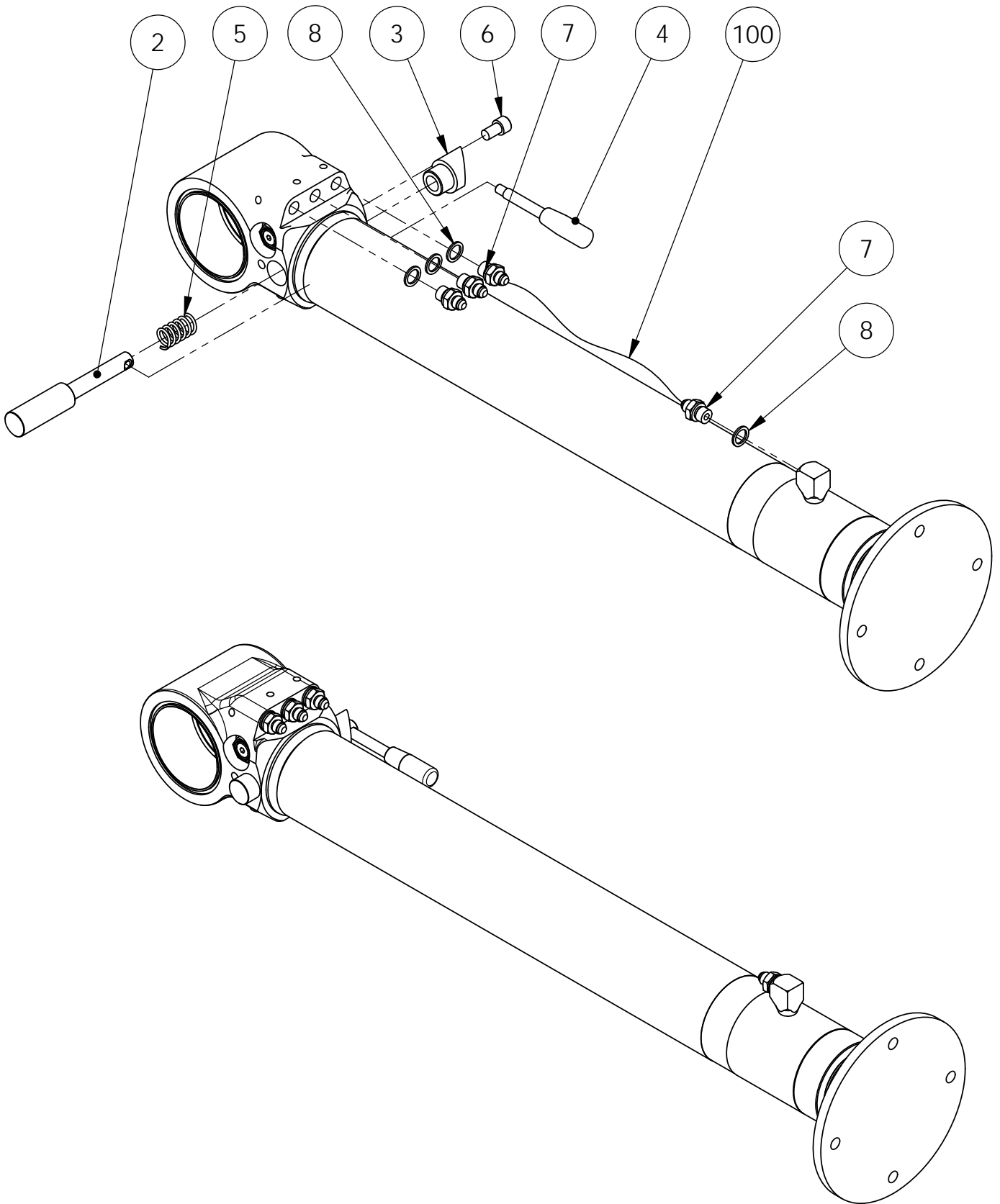


Item code	90025603	Revision	A
Title	STABILIZER	Date	18.06.2012
Specification	90/70X620 RIGHT (FIXED FOOT)		

Pos	Item code	Title	Specification	Pc	Nto Weight
1	28943001	CYLINDER	90/70X620	1	61.43
2	90025017	SPINDLE	30/18-179	1	0.63
3	90025018	SLEEVE		1	0.26
4	3301574	LEVER	GN 310-12-125-E-NI M10	1	0.03
5	3300533	SPRING	18/45/7.6/6.88 -1643 SF-TF3	1	0.02
6	3010604	ALLEN SCREW	M12X20 8.8 DIN 912	1	0
7	3090901	CONNECTOR	6010-06-06	4	0.05
8	3110040	USIT-SEAL	R-06 R 3/8"	4	0
100	3132961	HYDRAULIC HOSE	A50005-06-06/241T-06/A50005-06-06S/L=730/TEX	1	

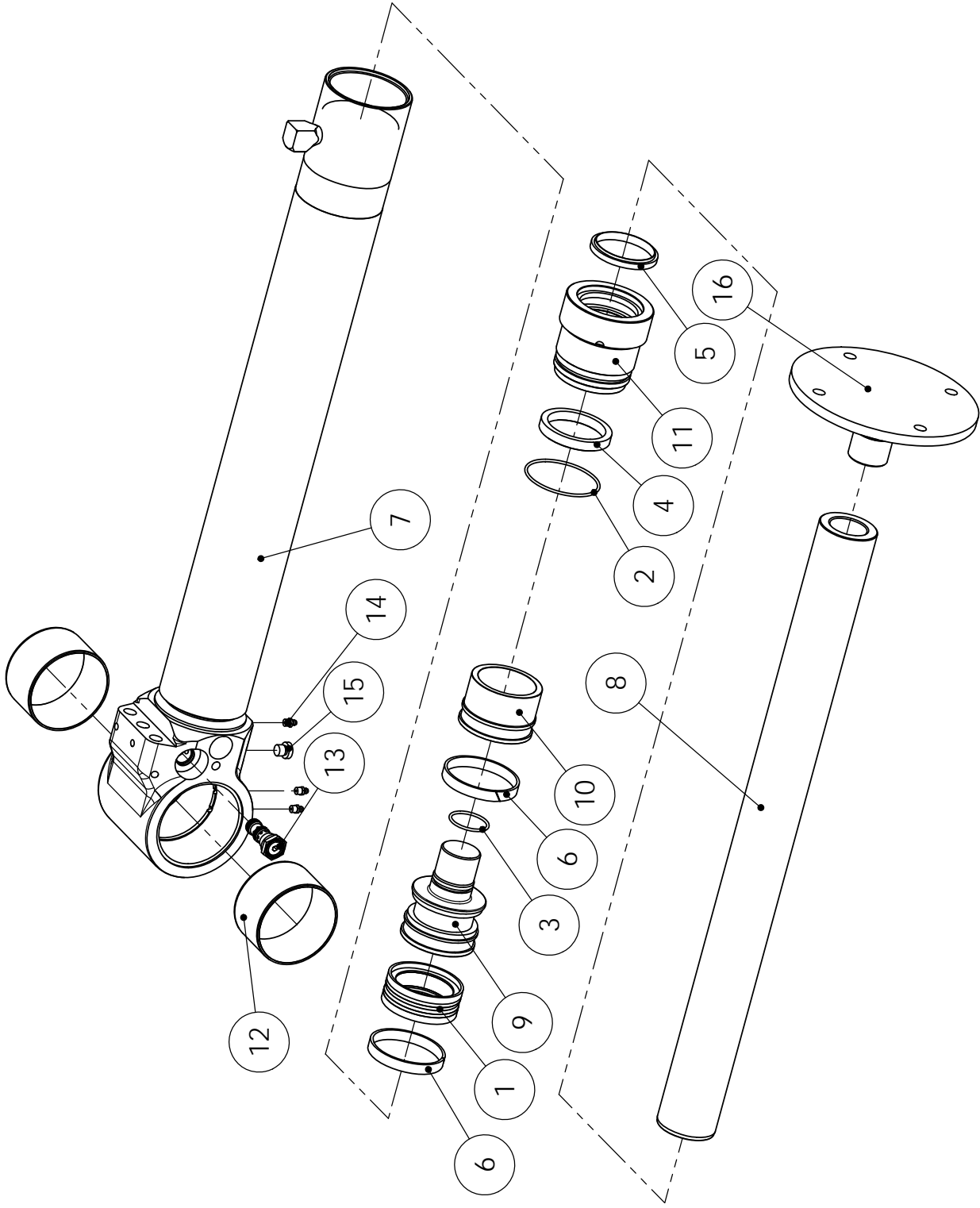
90025604

90/70x620 LEFT (FIXED FOOT)



Item code	90025604	Revision	A
Title	STABILIZER	Date	18.06.2012
Specification	90/70X620 LEFT (FIXED FOOT)		

Pos	Item code	Title	Specification	Pc	Nto Weight
1	28943001	CYLINDER	90/70X620	1	61.43
2	90025017	SPINDLE	30/18-179	1	0.63
3	90025018	SLEEVE		1	0.26
4	3301574	LEVER	GN 310-12-125-E-NI M10	1	0.03
5	3300533	SPRING	18/45/7.6/6.88 -1643 SF-TF3	1	0.02
6	3010604	ALLEN SCREW	M12X20 8.8 DIN 912	1	0
7	3090901	CONNECTOR	6010-06-06	4	0.05
8	3110040	USIT-SEAL	R-06 R 3/8"	4	0
100	3132961	HYDRAULIC HOSE	A50005-06-06/241T-06/A50005-06-06S/L=730/TEX	1	



28943001 SYLINTERI

VARAOSAT \ RESERVDELAR \ SPARE PARTS \ ERSATZTEIL

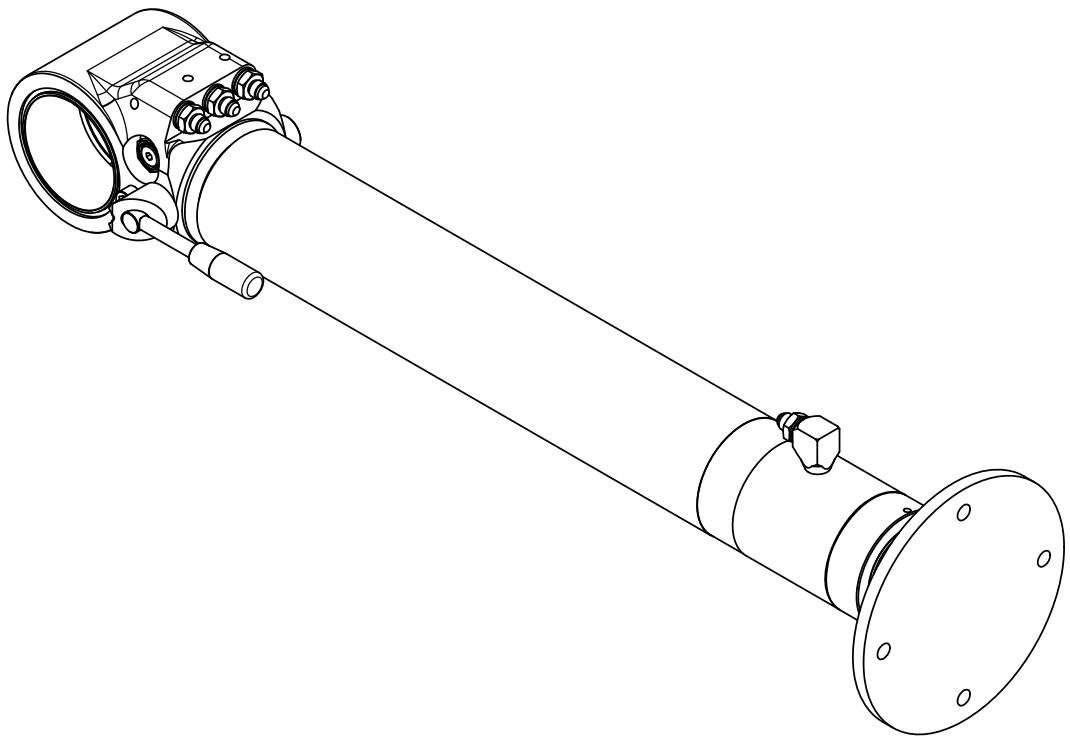
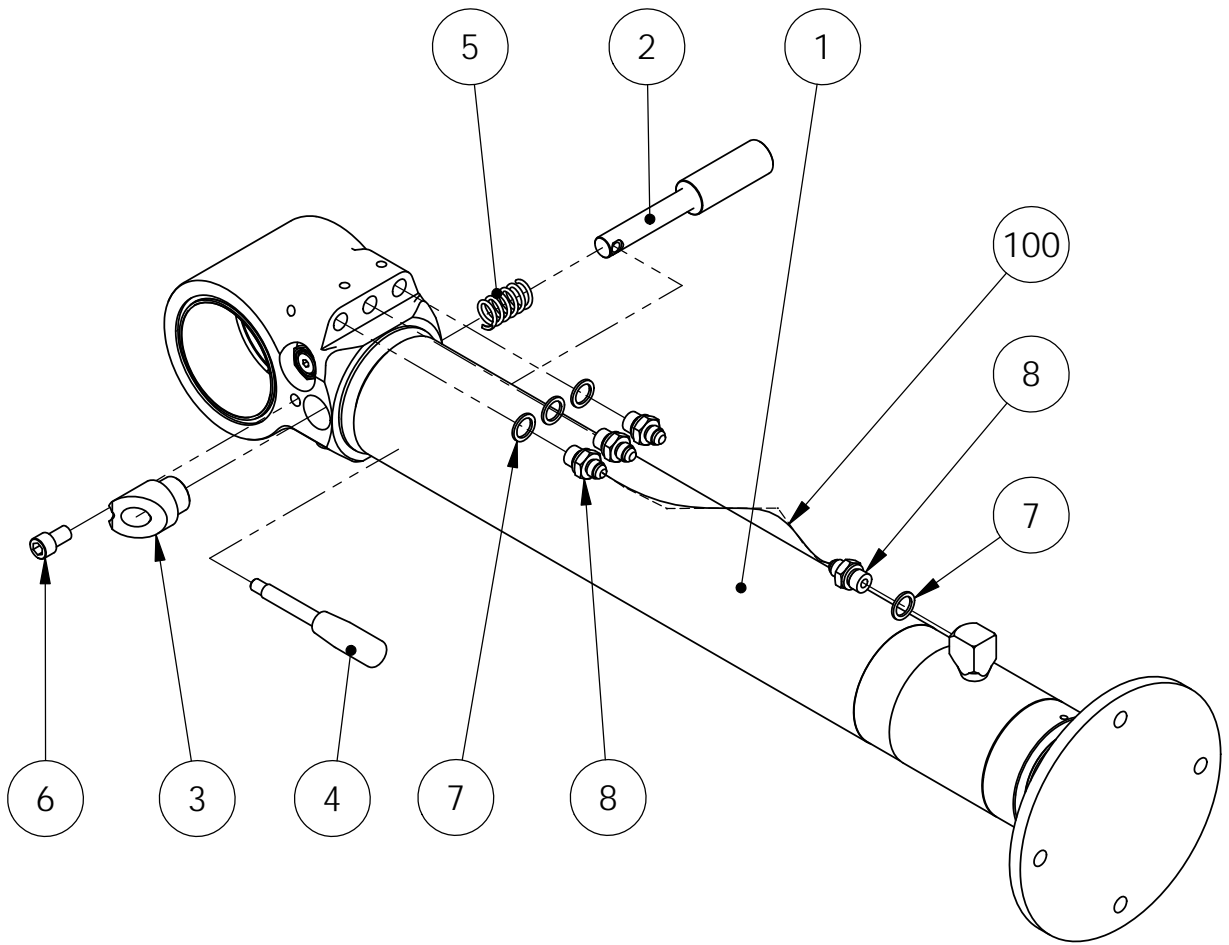


SPARE PART LIST

Item code	28943001	Revision	-
Title	CYLINDER	Date	15.01.2013
Specification	90/70X620		

Pos	Item code	Title	Specification	Pc	Nto Weight
1	3110025	PISTON SEAL	DAS 90/70X22	1	0.5
2	3110017	O-RING	84.5X3 90 SHORE	2	0.02
3	3110258	O-RING	42.2X3 90 SHORE	1	0.01
4	3110184	ROD SEAL	B 70/85X12 POLYPAC BALSELE	1	0.17
5	3110196	WIPER SEAL	GA 70/80X7/10	1	0.07
6	3110397	PISTON GUIDE	E/PWR 90/84X13	2	0.08
7	28861101	CYLINDER BARREL	90/70X600	1	32.54
8	28943302	PISTON ROD	70-793	1	15.11
9	28942201	PISTON	90	1	2.46
10	28554105	SLEEVE	ISKURAJOITINHOLKKI	1	0.96
11	28358202	GUIDANCE	90/70	1	2.42
12	3100344	BUSHING	WB 802 10060	2	0.38
13	3120843	VALVE		1	0.13
14	3050003	GREASE NIPPLE	M8X1.25 DIN 71412	3	0
15	3090211	PLUG		1	0.02
16	28942106	BASE	TUKIJALKA	1	6.07
1-6	311025	SEAL KIT	90/70	1	

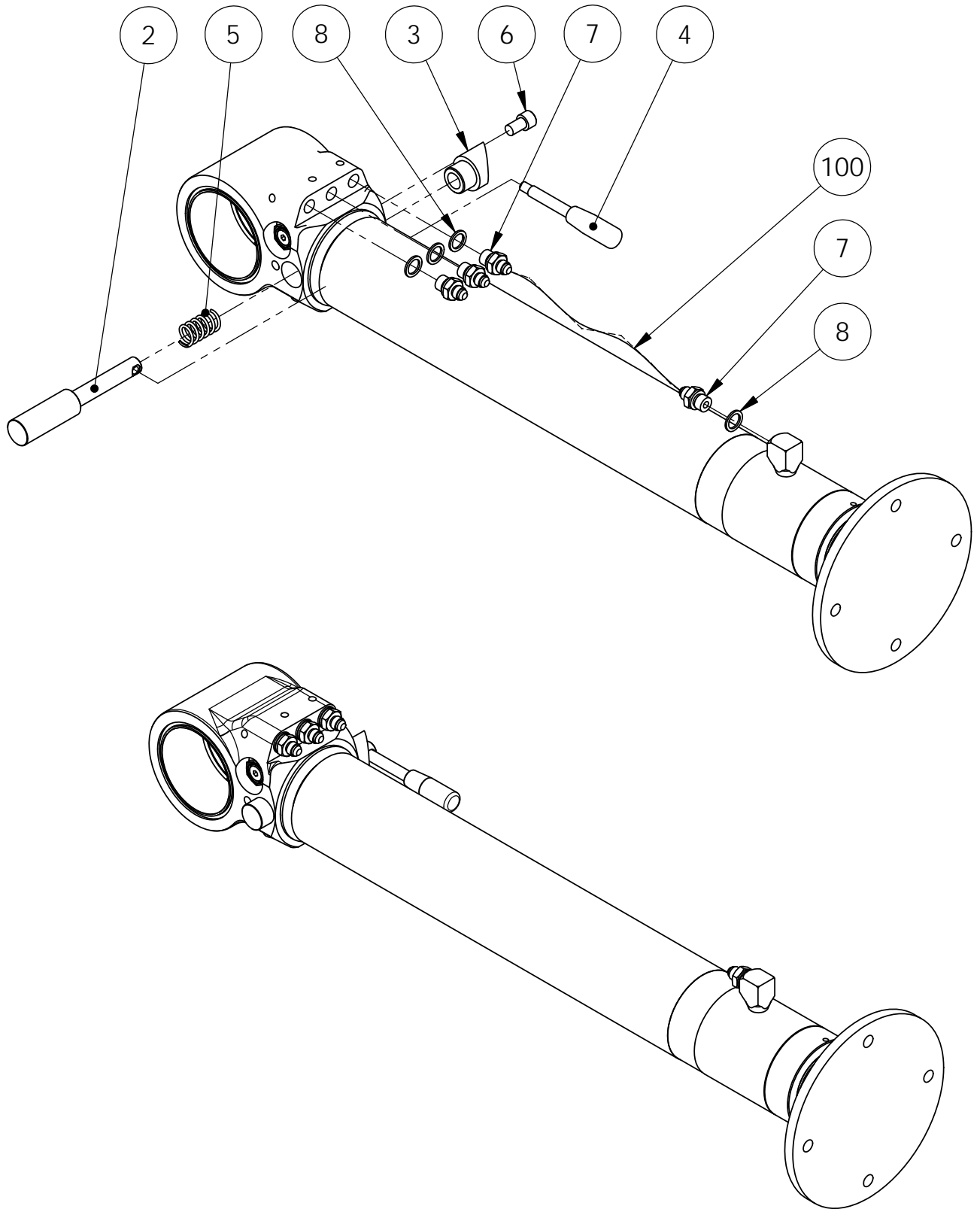
90025605
90/70x520 RIGHT (FIXED FOOT)



Item code	90025605	Revision	A
Title	STABILIZER	Date	18.06.2012
Specification	90/70X520 RIGHT (FIXED FOOT)		

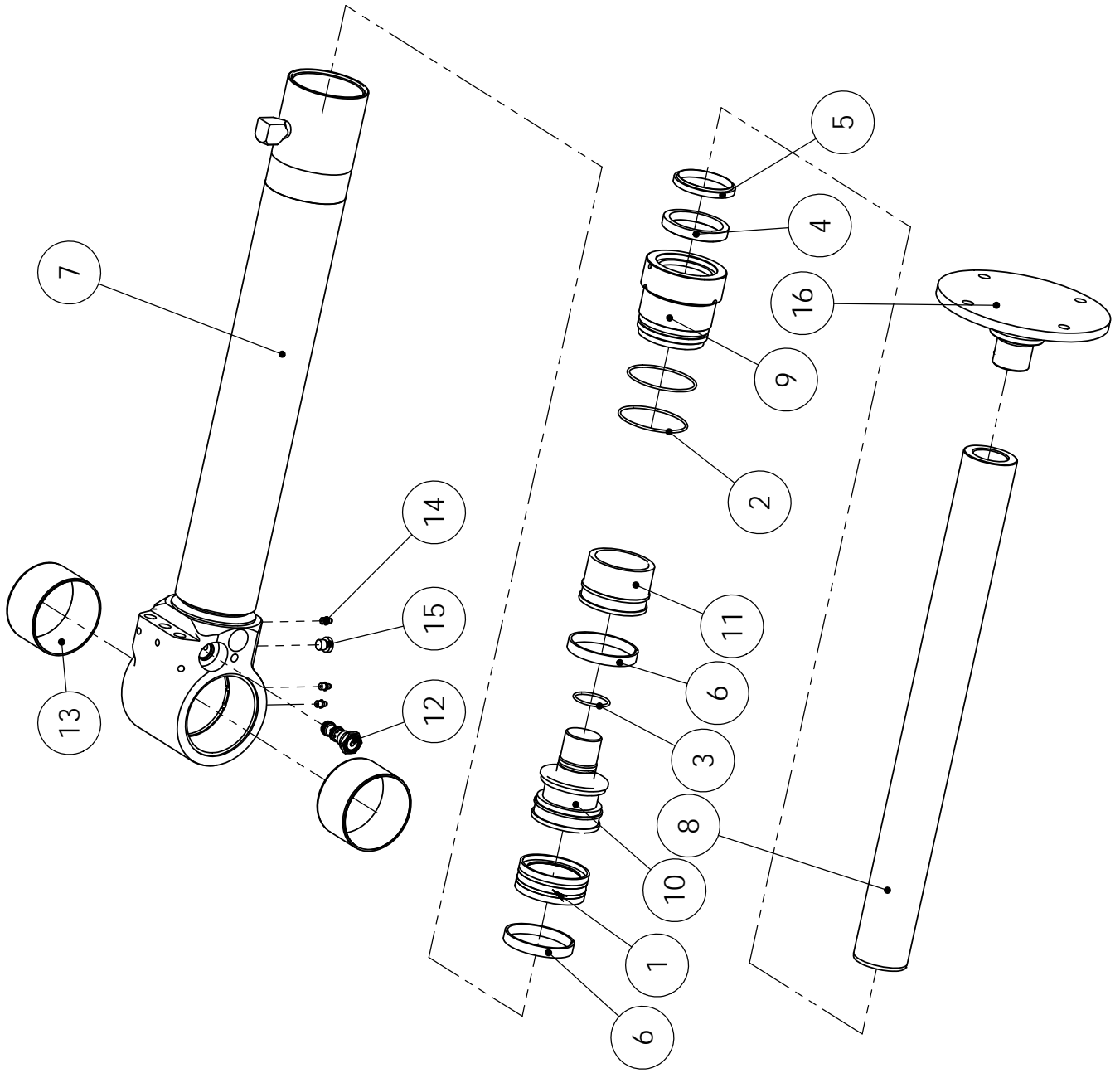
Pos	Item code	Title	Specification	Pc	Nto Weight
1	28942001	CYLINDER	90/70X520	1	57.69
2	90025017	SPINDLE	30/18-179	1	0.63
3	90025018	SLEEVE		1	0.26
4	3301574	LEVER	GN 310-12-125-E-NI M10	1	0.03
5	3300533	SPRING	18/45/7.6/6.88 -1643 SF-TF3	1	0.02
6	3010604	ALLEN SCREW	M12X20 8.8 DIN 912	1	0
7	3110040	USIT-SEAL	R-06 R 3/8"	4	0
8	3090901	CONNECTOR	6010-06-06	4	0.05
100	3132962	HYDRAULIC HOSE	A50005-06-06/241T-06/A50005-06-06/L=630/ TEX	1	0

90025606
90/70x520 LEFT (FIXED FOOT)



Item code	90025606	Revision	A
Title	STABILIZER	Date	18.06.2012
Specification	90/70X520 LEFT (FIXED FOOT)		

Pos	Item code	Title	Specification	Pc	Nto Weight
1	28942001	CYLINDER	90/70X520	1	57.69
2	90025017	SPINDLE	30/18-179	1	0.63
3	90025018	SLEEVE		1	0.26
4	3301574	LEVER	GN 310-12-125-E-NI M10	1	0.03
5	3300533	SPRING	18/45/7.6/6.88 -1643 SF-TF3	1	0.02
6	3010604	ALLEN SCREW	M12X20 8.8 DIN 912	1	0
7	3090901	CONNECTOR	6010-06-06	4	0.05
8	3110040	USIT-SEAL	R-06 R 3/8"	4	0
100	3132962	HYDRAULIC HOSE	A50005-06-06/241T-06/A50005-06-06/L=630/ TEX	1	0



28942001

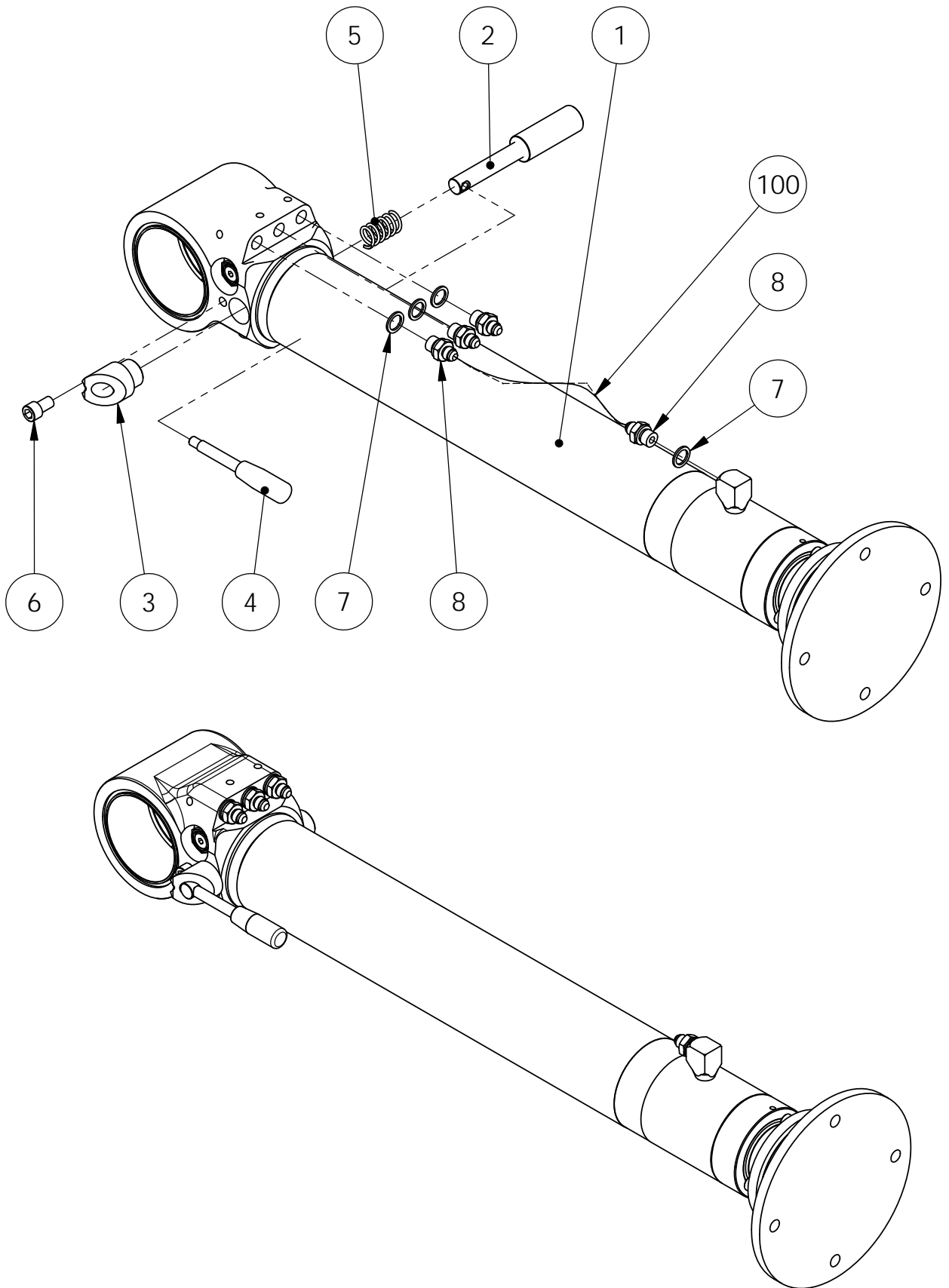


SPARE PART LIST

Item code	28942001	Revision	-
Title	CYLINDER	Date	30.11.2012
Specification	90/70X520		

Pos	Item code	Title	Specification	Pc	Nto Weight
1	3110025	PISTON SEAL	DAS 90/70X22	1	0.5
2	3110017	O-RING	84.5X3 90 SHORE	2	0.02
3	3110258	O-RING	42.2X3 90 SHORE	1	0.01
4	3110184	ROD SEAL	B 70/85X12 POLYPAC BALSELE	1	0.17
5	3110196	WIPER SEAL	GA 70/80X7/10	1	0.07
6	3110397	PISTON GUIDE	E/PWR 90/84X13	2	0.08
7	28865101	CYLINDER BARREL	90/70X500	1	30.74
8	28942302	PISTON ROD	70-693	1	13.17
9	28358202	GUIDANCE	90/70	1	2.42
10	28942201	PISTON	90	1	2.46
11	28554105	SLEEVE	ISKURAJOITINHOLKKI	1	0.96
12	3120843	VALVE		1	0.13
13	3100344	BUSHING	WB 802 10060	2	0.38
14	3050003	GREASE NIPPLE	M8X1.25 DIN 71412	3	0
15	3090211	PLUG		1	0.02
16	28942106	BASE	TUKIJALKA	1	6.07
1-6	3111025	SEAL KIT	90/70	1	

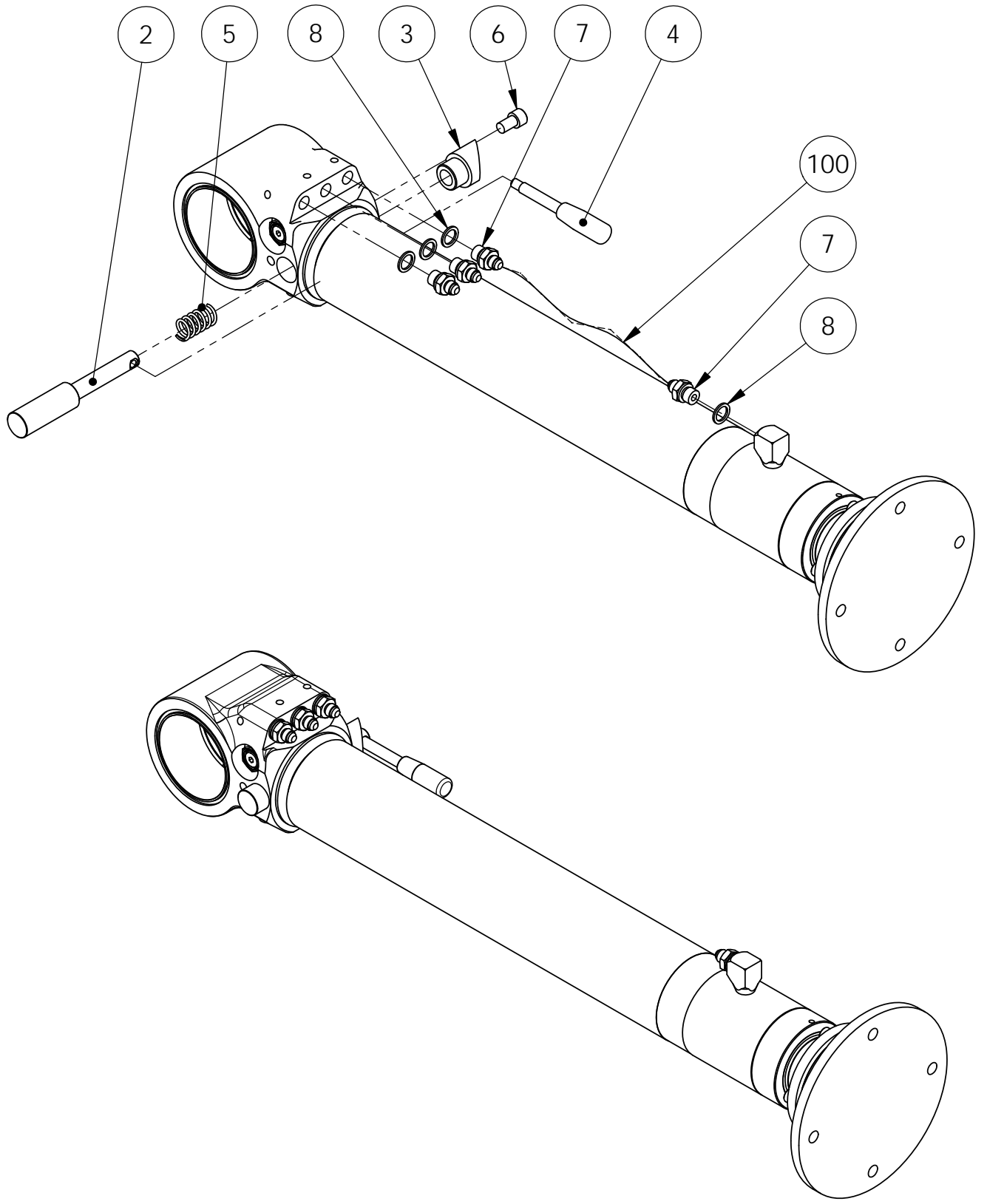
90025608
90/70x520 RIGHT (ADJUSTABLE FOOT)



Item code	90025608	Revision	A
Title	STABILIZER	Date	19.06.2012
Specification	90/70X520 RIGHT (ADJUSTABLE FOOT)		

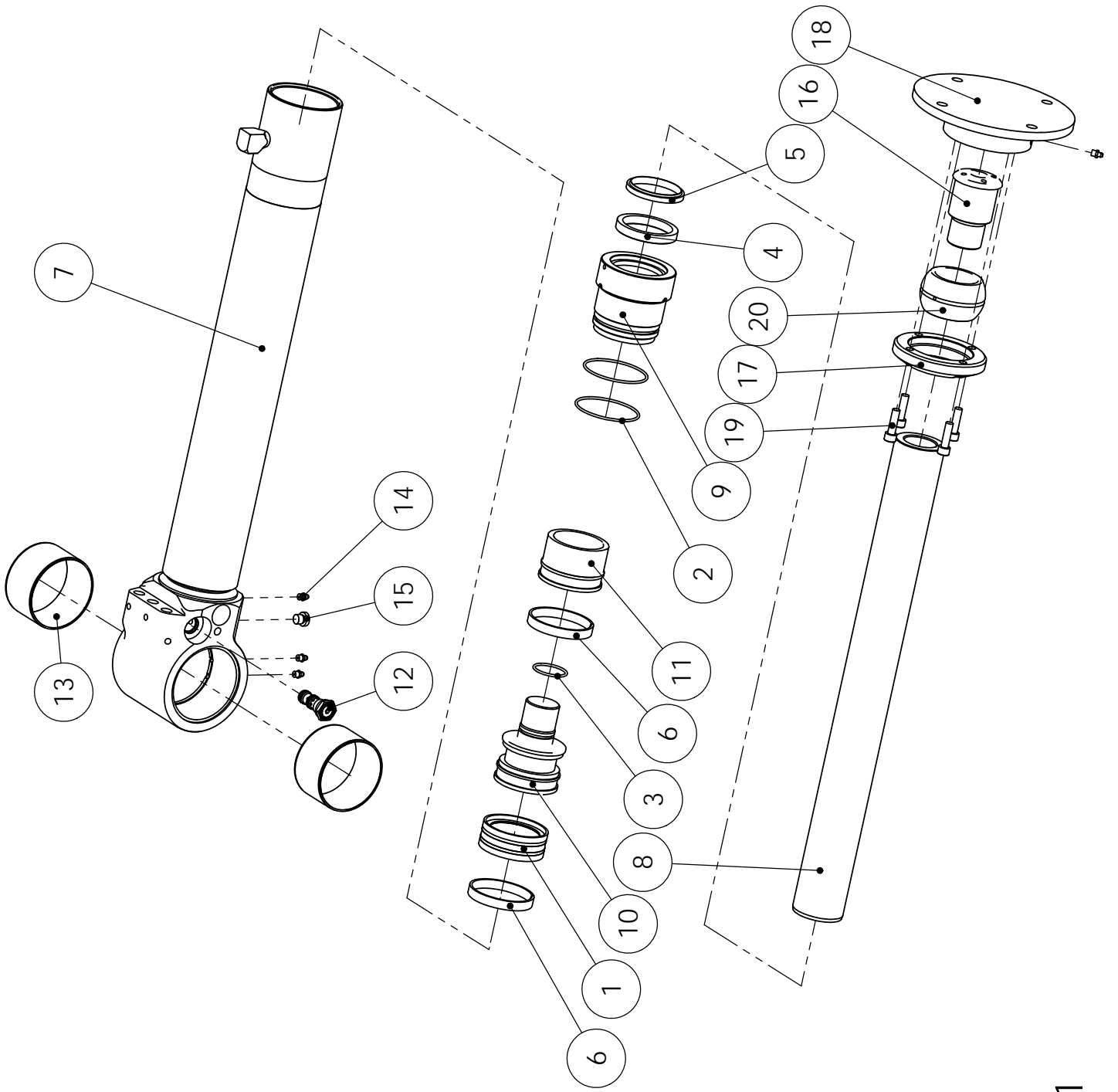
Pos	Item code	Title	Specification	Pc	Nto Weight
1	28944001	CYLINDER	90/70X520	1	61.28
2	90025017	SPINDLE	30/18-179	1	0.63
3	90025018	SLEEVE		1	0.26
4	3301574	LEVER	GN 310-12-125-E-NI M10	1	0.03
5	3300533	SPRING	18/45/7.6/6.88 -1643 SF-TF3	1	0.02
6	3010604	ALLEN SCREW	M12X20 8.8 DIN 912	1	0
7	3110040	USIT-SEAL	R-06 R 3/8"	4	0
8	3090901	CONNECTOR	6010-06-06	4	0.05
100	3132962	HYDRAULIC HOSE	A50005-06-06/241T-06/A50005-06-06/L=630/ TEX	1	0

90025609
90/70x520 LEFT (ADJUSTABLE FOOT)



Item code	90025609	Revision	A
Title	STABILIZER	Date	19.06.2012
Specification	90/70X520 LEFT (ADJUSTABLE FOOT)		

Pos	Item code	Title	Specification	Pc	Nto Weight
1	28944001	CYLINDER	90/70X520	1	61.28
2	90025017	SPINDLE	30/18-179	1	0.63
3	90025018	SLEEVE		1	0.26
4	3301574	LEVER	GN 310-12-125-E-NI M10	1	0.03
5	3300533	SPRING	18/45/7.6/6.88 -1643 SF-TF3	1	0.02
6	3010604	ALLEN SCREW	M12X20 8.8 DIN 912	1	0
7	3090901	CONNECTOR	6010-06-06	4	0.05
8	3110040	USIT-SEAL	R-06 R 3/8"	4	0
100	3132962	HYDRAULIC HOSE	A50005-06-06/241T-06/A50005-06-06/L=630/ TEX	1	0



28944001

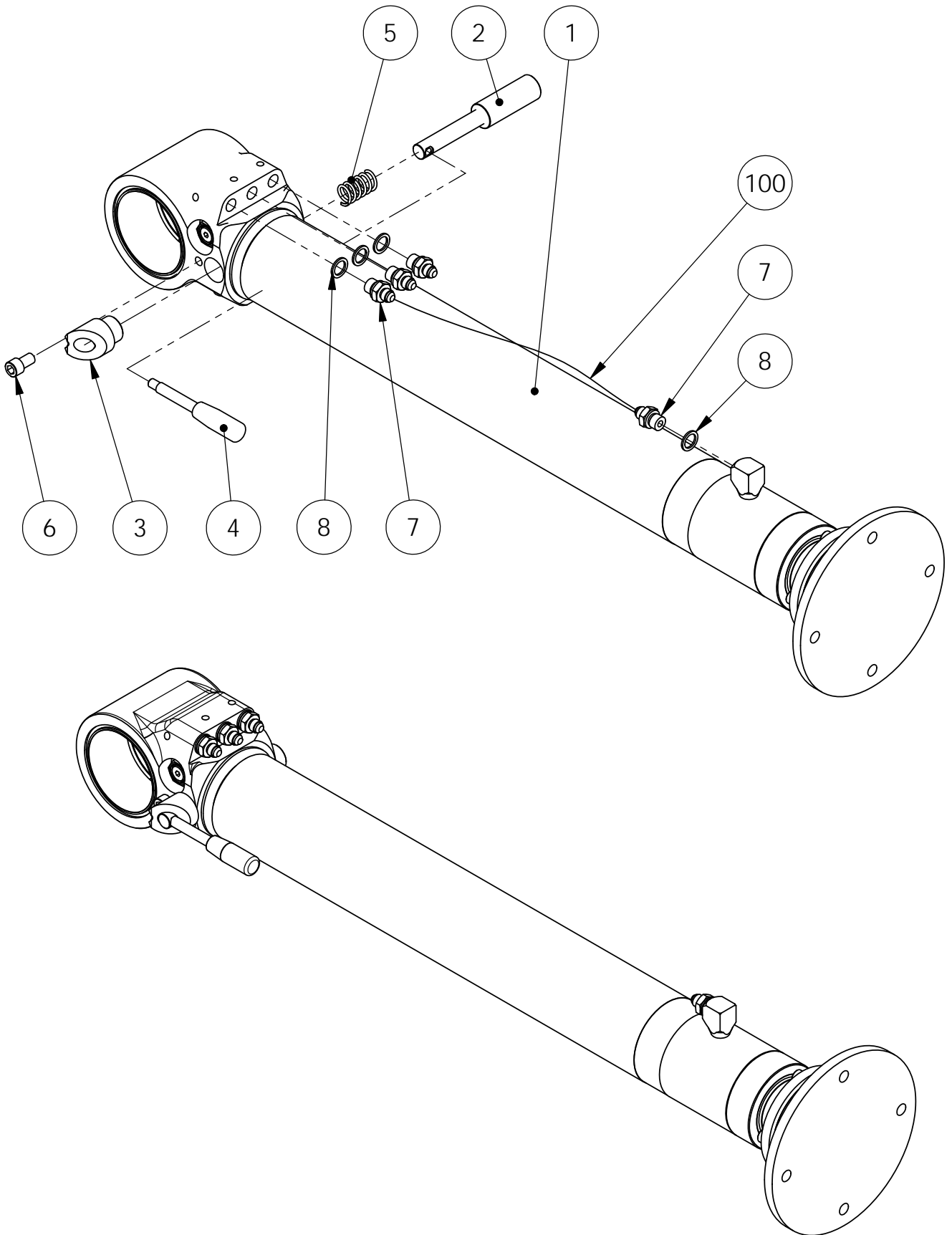


SPARE PART LIST

Item code	28944001	Revision	-
Title	CYLINDER	Date	30.11.2012
Specification	90/70X520		

Pos	Item code	Title	Specification	Pc	Nto Weight
1	3110025	PISTON SEAL	DAS 90/70X22	1	0.5
2	3110017	O-RING	84.5X3 90 SHORE	2	0.02
3	3110258	O-RING	42.2X3 90 SHORE	1	0.01
4	3110184	ROD SEAL	B 70/85X12 POLYPAC BALSELE	1	0.17
5	3110196	WIPER SEAL	GA 70/80X7/10	1	0.07
6	3110397	PISTON GUIDE	E/PWR 90/84X13	2	0.08
7	28865101	CYLINDER BARREL	90/70X500	1	30.74
8	28942302	PISTON ROD	70-693	1	13.17
9	28358202	GUIDANCE	90/70	1	2.42
10	28942201	PISTON	90	1	2.46
11	28554105	SLEEVE	ISKURAJOITINHOLKKI	1	0.96
12	3120843	VALVE		1	0.13
13	3100344	BUSHING	WB 802 10060	2	0.38
14	3050003	GREASE NIPPLE	M8X1.25 DIN 71412	4	0
15	3090211	PLUG		1	0.02
16	28944401	AXLE	60/M47	1	1.9
17	28861107	COVER		1	1.07
18	28861106	BASE		1	5.55
19	3010970	ALLEN SCREW	M10X35 12.9 DIN 912	4	0
20	3100428	BEARING	NIVELLAAKERIN PALLO GEF 60 ES	1	1.14
1-6	3111025	SEAL KIT	90/70	1	

90025610
90/70x620 RIGHT (ADJUSTABLE FOOT)

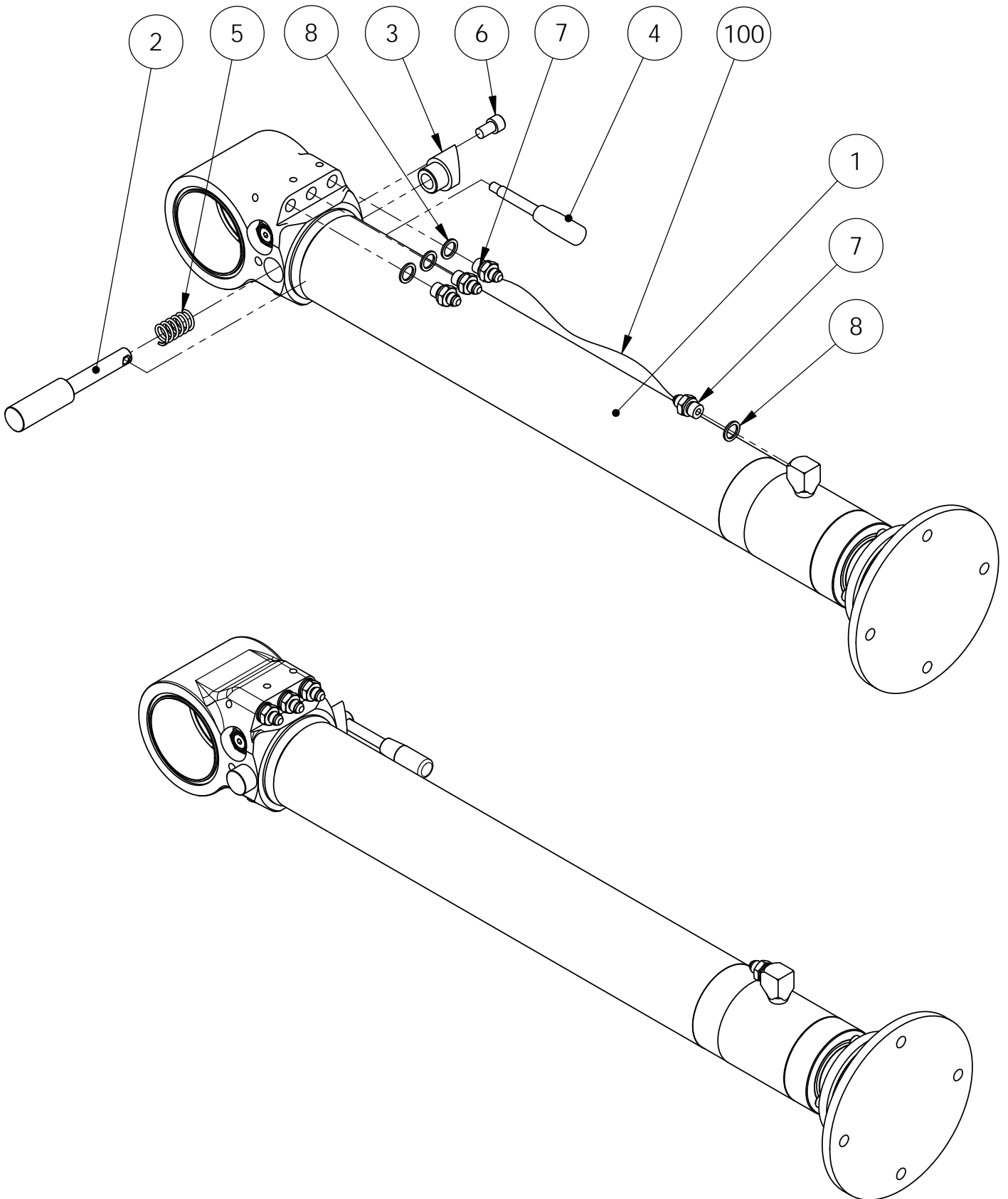


Item code	90025610	Revision	A
Title	STABILIZER	Date	19.06.2012
Specification	90/70X620 RIGHT (ADJUSTABLE FOOT)		

Pos	Item code	Title	Specification	Pc	Nto Weight
1	28945001	CYLINDER	90/70X620	1	65.02
2	90025017	SPINDLE	30/18-179	1	0.63
3	90025018	SLEEVE		1	0.26
4	3301574	LEVER	GN 310-12-125-E-NI M10	1	0.03
5	3300533	SPRING	18/45/7.6/6.88 -1643 SF-TF3	1	0.02
6	3010604	ALLEN SCREW	M12X20 8.8 DIN 912	1	0
7	3090901	CONNECTOR	6010-06-06	4	0.05
8	3110040	USIT-SEAL	R-06 R 3/8"	4	0
100	3132961	HYDRAULIC HOSE	A50005-06-06/241T-06/A50005-06-06S/L=730/TEX	1	

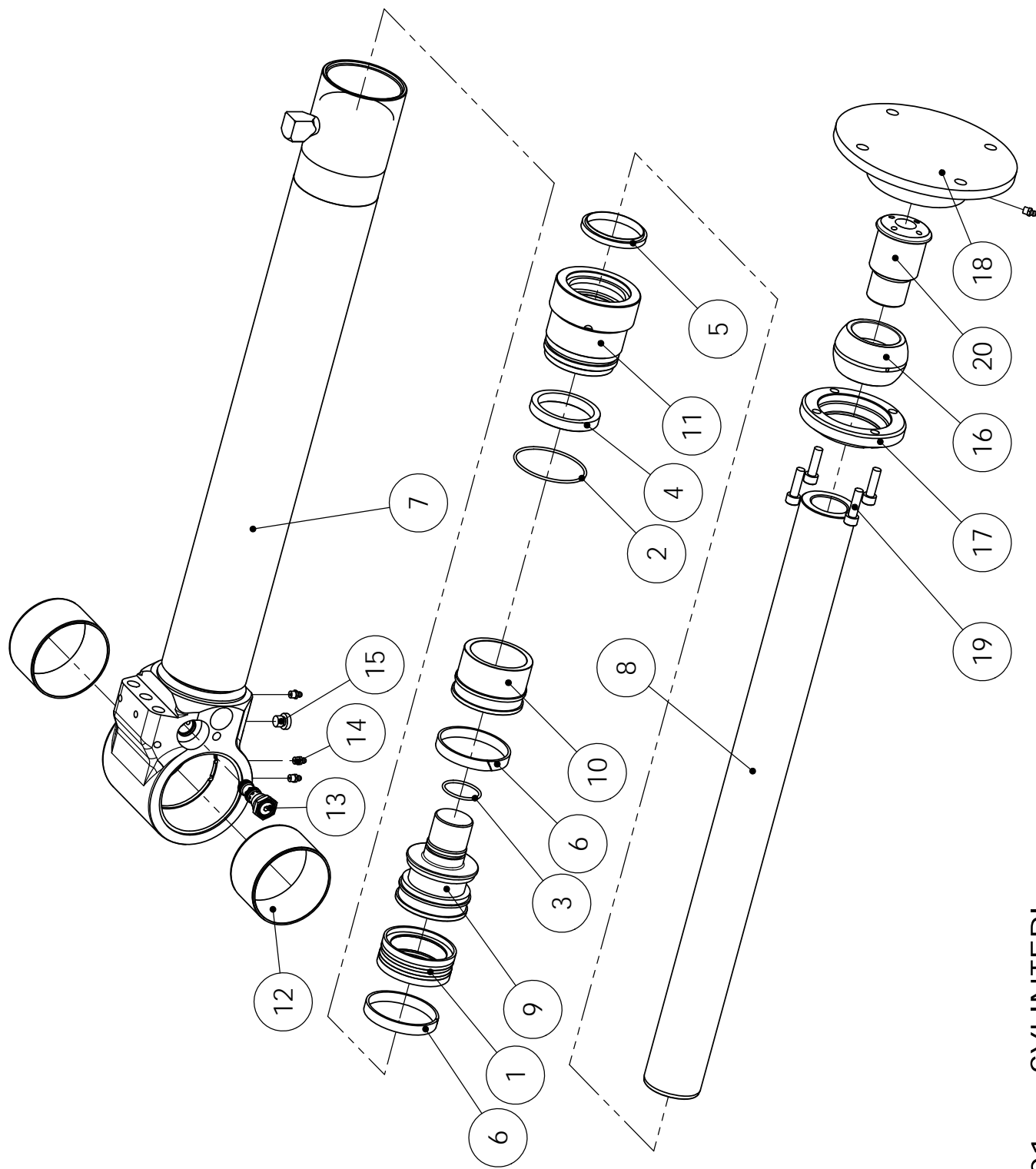
90025611

90/70x620 LEFT (ADJUSTABLE FOOT)



Item code	90025611	Revision	A
Title	STABILIZER	Date	19.06.2012
Specification	90/70X620 LEFT (ADJUSTABLE FOOT)		

Pos	Item code	Title	Specification	Pc	Nto Weight
1	28945001	CYLINDER	90/70X620	1	65.02
2	90025017	SPINDLE	30/18-179	1	0.63
3	90025018	SLEEVE		1	0.26
4	3301574	LEVER	GN 310-12-125-E-NI M10	1	0.03
5	3300533	SPRING	18/45/7.6/6.88 -1643 SF-TF3	1	0.02
6	3010604	ALLEN SCREW	M12X20 8.8 DIN 912	1	0
7	3090901	CONNECTOR	6010-06-06	4	0.05
8	3110040	USIT-SEAL	R-06 R 3/8"	4	0
100	3132961	HYDRAULIC HOSE	A50005-06-06/241T-06/A50005-06-06S/L=730/TEX	1	



28945001 SYLINTERI

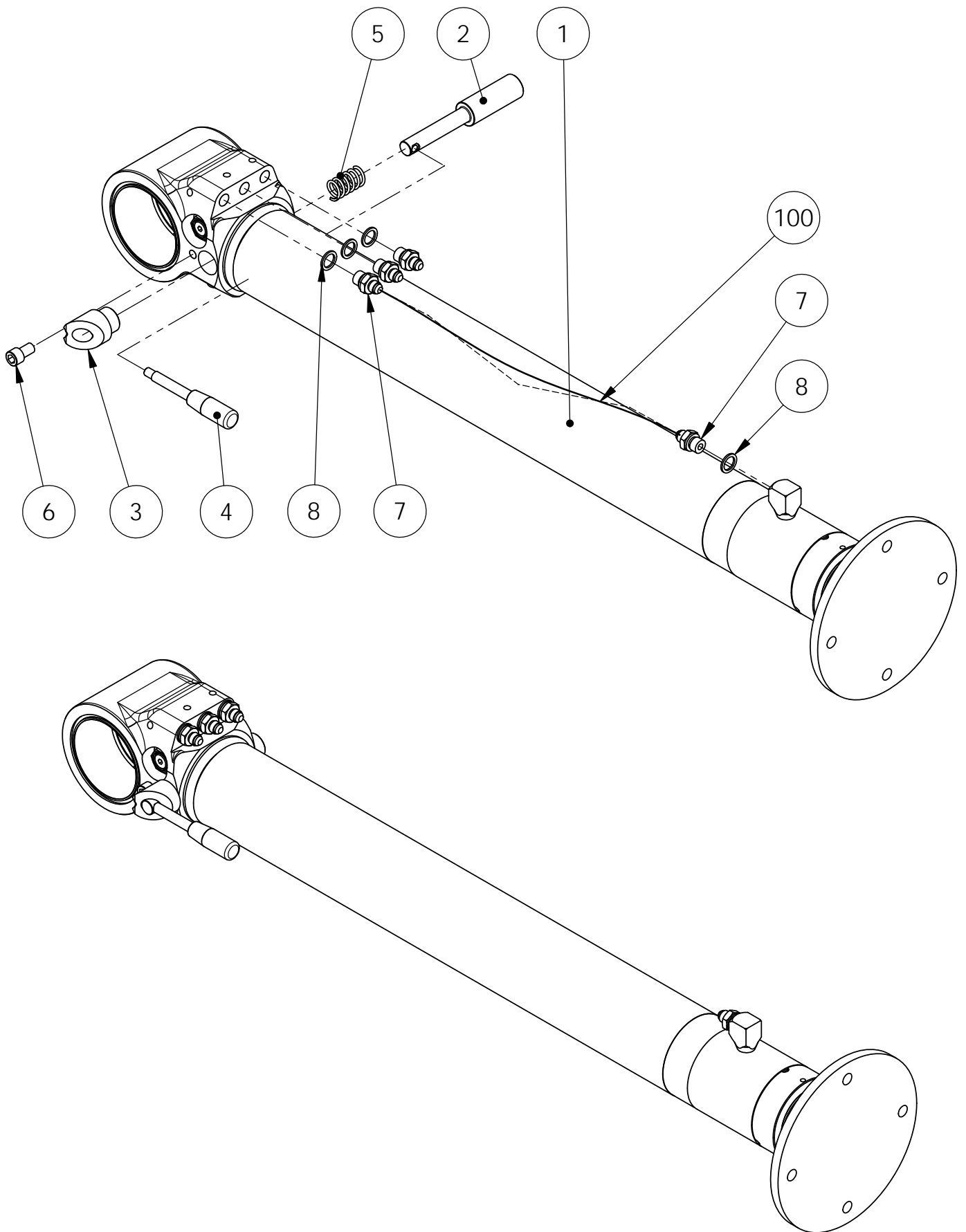


SPARE PART LIST

Item code	28945001	Revision	-
Title	CYLINDER	Date	15.01.2013
Specification	90/70X620		

Pos	Item code	Title	Specification	Pc	Nto Weight
1	3110025	PISTON SEAL	DAS 90/70X22	1	0.5
2	3110017	O-RING	84.5X3 90 SHORE	2	0.02
3	3110258	O-RING	42.2X3 90 SHORE	1	0.01
4	3110184	ROD SEAL	B 70/85X12 POLYPAC BALSELE	1	0.17
5	3110196	WIPER SEAL	GA 70/80X7/10	1	0.07
6	3110397	PISTON GUIDE	E/PWR 90/84X13	2	0.08
7	28861101	CYLINDER BARREL	90/70X600	1	32.54
8	28943302	PISTON ROD	70-793	1	15.11
9	28942201	PISTON	90	1	2.46
10	28554105	SLEEVE	ISKURAJOITINHOLKKI	1	0.96
11	28358202	GUIDANCE	90/70	1	2.42
12	3100344	BUSHING	WB 802 10060	2	0.38
13	3120843	VALVE		1	0.13
14	3050003	GREASE NIPPLE	M8X1.25 DIN 71412	4	0
15	3090211	PLUG		1	0.02
16	3100428	BEARING		1	1.14
17	28861107	COVER	NIVELLAAKERIN PALLO GEF 60 ES	1	1.07
18	28861106	BASE		1	5.55
19	3010970	ALLEN SCREW	M10X35 12.9 DIN 912	4	0
20	28944401	AXLE	60/M47	1	1.9
1-6	3111025	SEAL KIT	90/70	1	

90026032
90/70x720 RIGHT (FIXED FOOT)

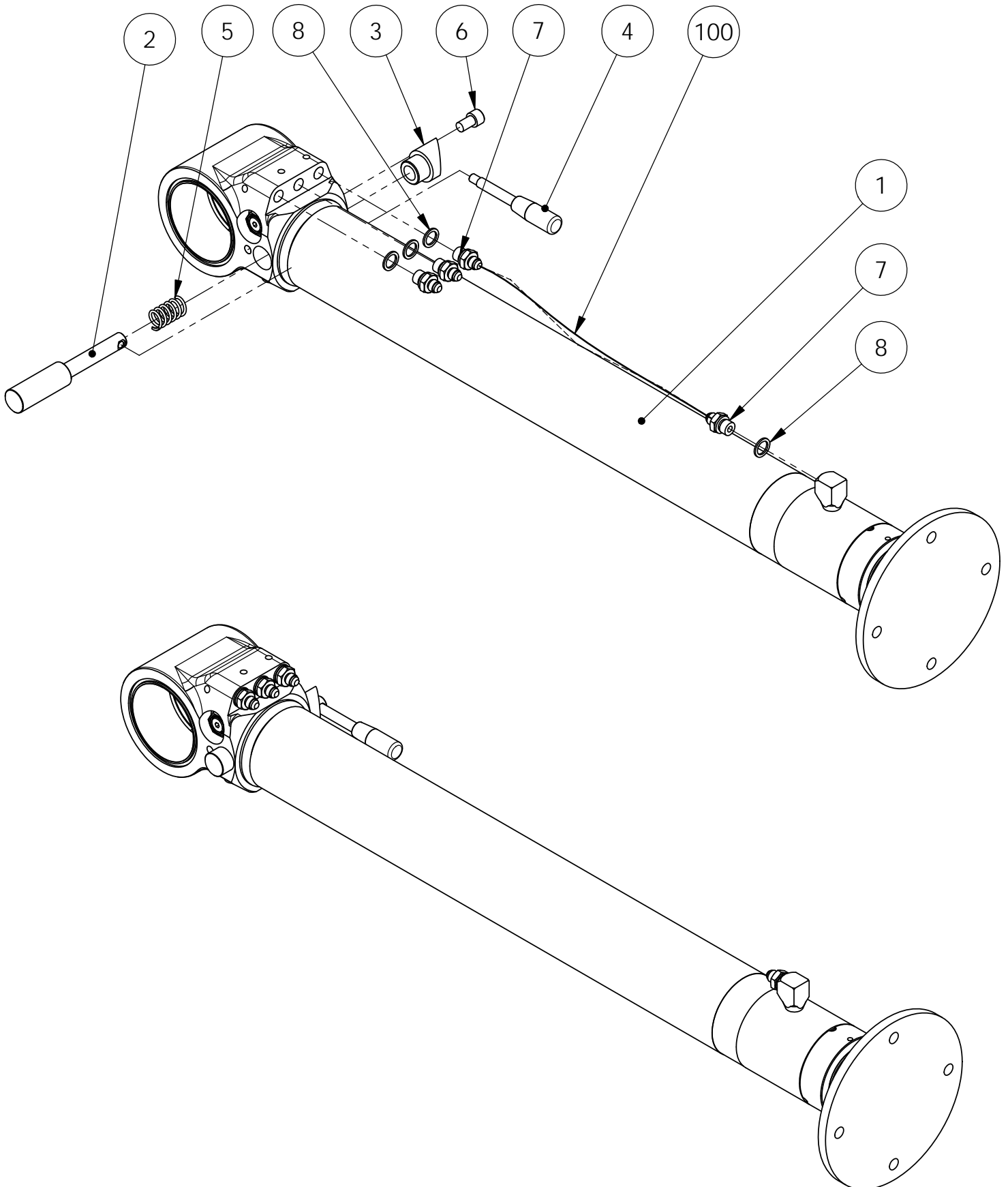


Item code	90026032	Revision	-
Title	STABILIZER	Date	15.01.2013
Specification	90/70X720 RIGHT		

Pos	Item code	Title	Specification	Pc	Nto Weight
1	28949001	CYLINDER	90/70X720	1	65.15
2	90025017	SPINDLE	30/18-179	1	0.63
3	90025018	SLEEVE		1	0.26
4	3301574	LEVER	GN 310-12-125-E-NI M10	1	0.03
5	3300533	SPRING	18/45/7.6/6.88 -1643 SF-TF3	1	0.02
6	3010604	ALLEN SCREW	M12X20 8.8 DIN 912	1	0
7	3090901	CONNECTOR	6010-06-06	4	0.05
8	3110040	USIT-SEAL	R-06 R 3/8"	4	0
100	3133273	HYDRAULIC HOSE	A50005-06-06/241T-06/A50005-06-06/L=830/TEX	1	0

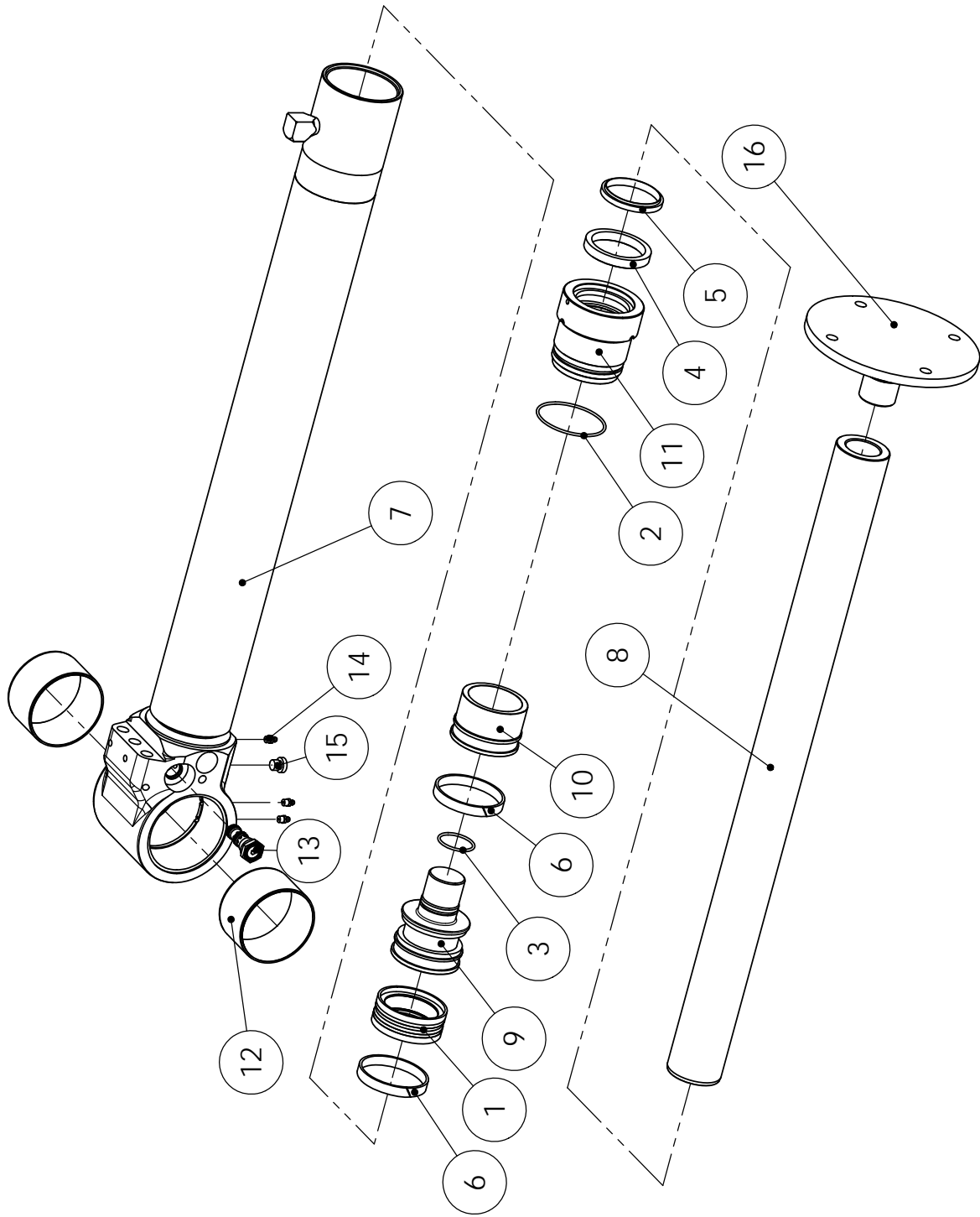
90026033

90/70x720 LEFT (FIXED FOOT)



Item code	90026033	Revision	-
Title	STABILIZER	Date	15.01.2013
Specification	90/70X720 LEFT		

Pos	Item code	Title	Specification	Pc	Nto Weight
1	28949001	CYLINDER	90/70X720	1	65.15
2	90025017	SPINDLE	30/18-179	1	0.63
3	90025018	SLEEVE		1	0.26
4	3301574	LEVER	GN 310-12-125-E-NI M10	1	0.03
5	3300533	SPRING	18/45/7.6/6.88 -1643 SF-TF3	1	0.02
6	3010604	ALLEN SCREW	M12X20 8.8 DIN 912	1	0
7	3090901	CONNECTOR	6010-06-06	4	0.05
8	3110040	USIT-SEAL	R-06 R 3/8"	4	0
100	3133273	HYDRAULIC HOSE	A50005-06-06/241T-06/A50005-06-06/L=830/TEX	1	0



28949001 SYLINTERI

VARAOSAT \ RESERVDELAR \ SPARE PARTS \ ERSATZTEIL



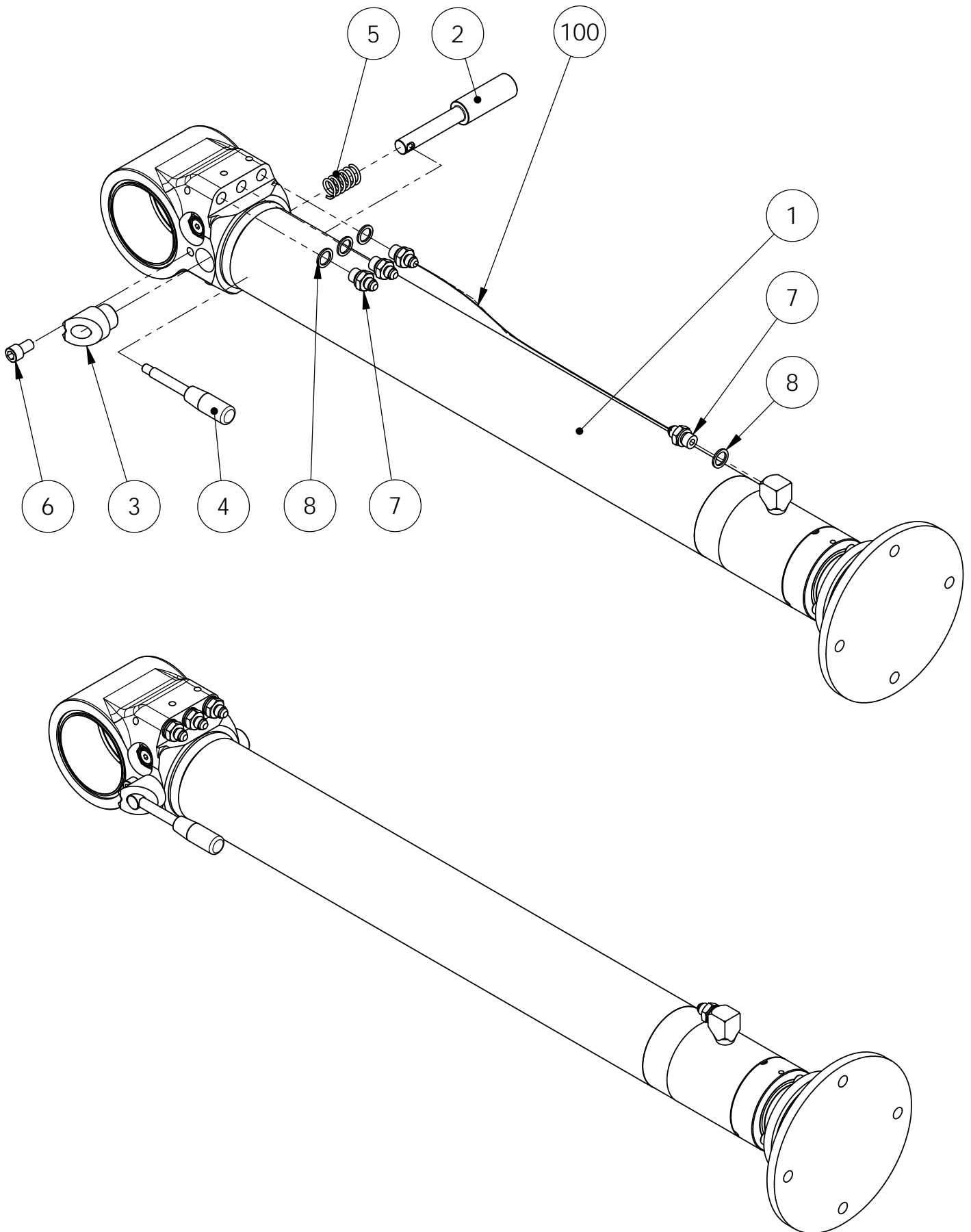
SPARE PART LIST

Item code	28949001	Revision	-
Title	CYLINDER	Date	13.02.2013
Specification	90/70X720		

Pos	Item code	Title	Specification	Pc	Nto Weight
1	3110025	PISTON SEAL	DAS 90/70X22	1	0.5
2	3110017	O-RING	84.5X3 90 SHORE	1	0.02
3	3110258	O-RING	42.2X3 90 SHORE	1	0.01
4	3110184	ROD SEAL	B 70/85X12 POLYPAC BALSELE	1	0.17
5	3110196	WIPER SEAL	GA 70/80X7/10	1	0.07
6	3110397	PISTON GUIDE	E/PWR 90/84X13	2	0.08
7	28949101	CYLINDER BARREL	90/70X720	1	34.35
8	28949302	PISTON ROD	70-893	1	17.04
9	28942201	PISTON	90	1	2.46
10	28554105	SLEEVE	ISKURAJOITINHOLKKI	1	0.96
11	28358202	GUIDANCE	90/70	1	2.42
12	3100344	BUSHING	WB 802 10060	2	0.38
13	3120843	VALVE		1	0.13
14	3050003	GREASE NIPPLE	M8X1.25 DIN 71412	3	0
15	3090211	PLUG		1	0.02
16	28942106	BASE	TUKIJALKA	1	6.07
1-6	3111025	SEAL KIT	90/70	1	

90026034

90/70x720 RIGHT (ADJUSTABLE FOOT)

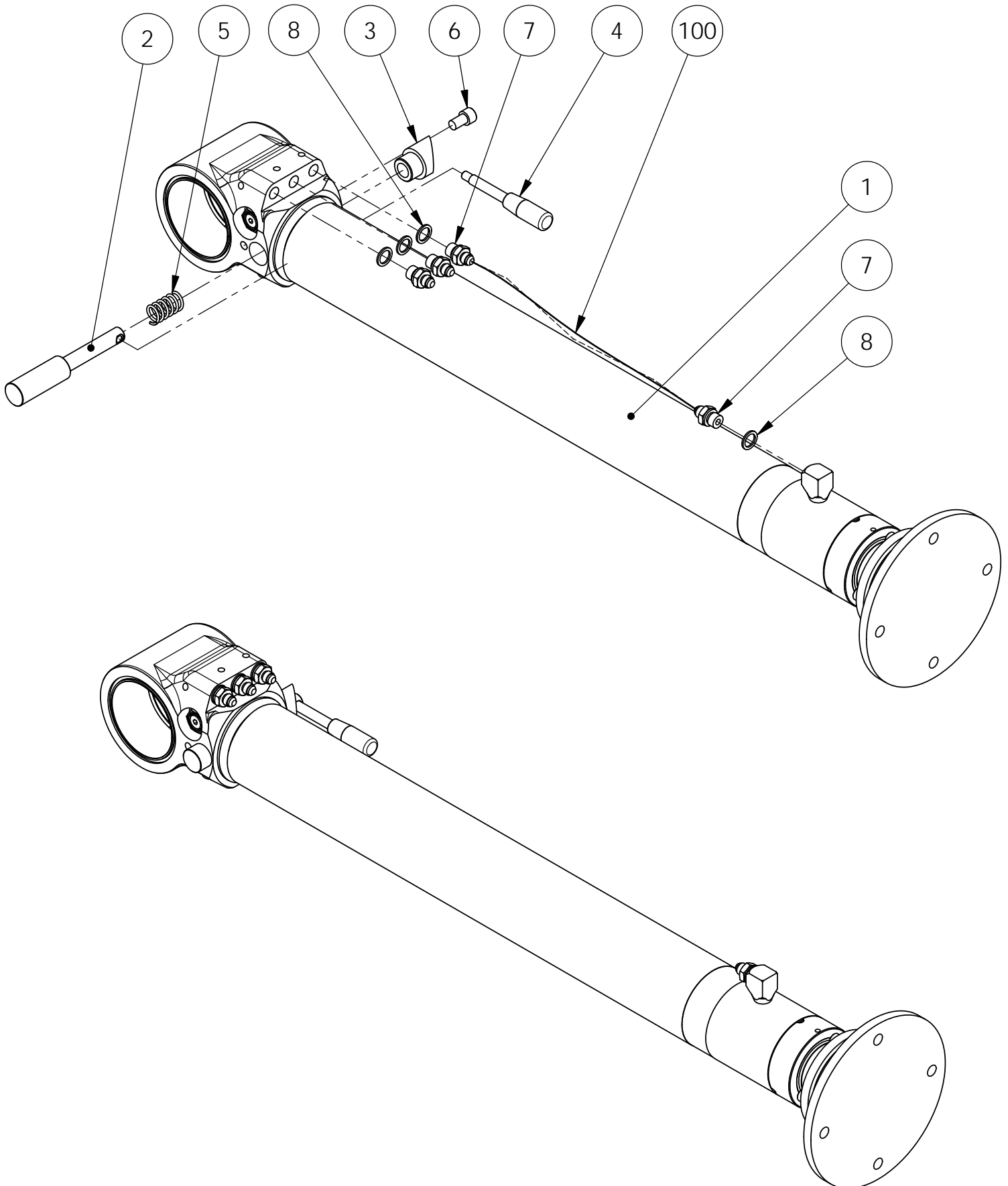


Item code	90026034	Revision	-
Title	STABILIZER	Date	16.01.2013
Specification	90/70X720 RIGHT		

Pos	Item code	Title	Specification	Pc	Nto Weight
1	28950001	CYLINDER	90/70X720	1	68.74
2	90025017	SPINDLE	30/18-179	1	0.63
3	90025018	SLEEVE		1	0.26
4	3301574	LEVER	GN 310-12-125-E-NI M10	1	0.03
5	3300533	SPRING	18/45/7.6/6.88 -1643 SF-TF3	1	0.02
6	3010604	ALLEN SCREW	M12X20 8.8 DIN 912	1	0
7	3090901	CONNECTOR	6010-06-06	4	0.05
8	3110040	USIT-SEAL	R-06 R 3/8"	4	0
100	3133273	HYDRAULIC HOSE	A50005-06-06/241T-06/A50005-06-06/L=830/TEX	1	0

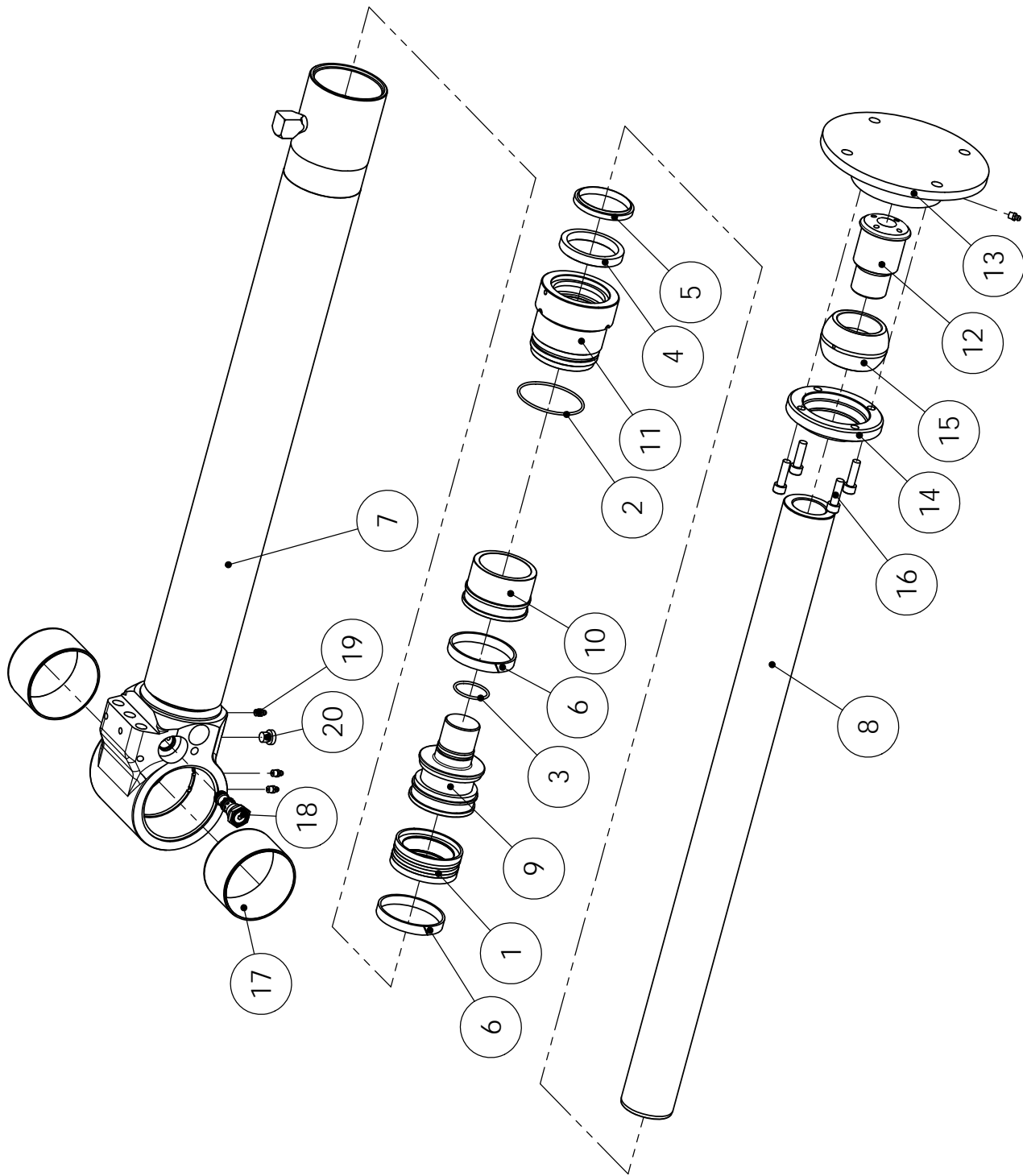
90026035

90/70x720 LEFT (ADJUSTABLE FOOT)



Item code	90026035	Revision	-
Title	STABILIZER	Date	16.01.2013
Specification	90/70X720 LEFT		

Pos	Item code	Title	Specification	Pc	Nto Weight
1	28950001	CYLINDER	90/70X720	1	68.74
2	90025017	SPINDLE	30/18-179	1	0.63
3	90025018	SLEEVE		1	0.26
4	3301574	LEVER	GN 310-12-125-E-NI M10	1	0.03
5	3300533	SPRING	18/45/7.6/6.88 -1643 SF-TF3	1	0.02
6	3010604	ALLEN SCREW	M12X20 8.8 DIN 912	1	0
7	3090901	CONNECTOR	6010-06-06	4	0.05
8	3110040	USIT-SEAL	R-06 R 3/8"	4	0
100	3133273	HYDRAULIC HOSE	A50005-06-06/241T-06/A50005-06-06/L=830/TEX	1	0



28950001 SYLINTERI

VARAOSAT \ RESERVDELAR \ SPARE PARTS \ ERSATZTEIL



SPARE PART LIST

Item code	28950001	Revision	-
Title	CYLINDER	Date	13.02.2013
Specification	90/70X720		

Pos	Item code	Title	Specification	Pc	Nto Weight
1	3110025	PISTON SEAL	DAS 90/70X22	1	0.5
2	3110017	O-RING	84.5X3 90 SHORE	1	0.02
3	3110258	O-RING	42.2X3 90 SHORE	1	0.01
4	3110184	ROD SEAL	B 70/85X12 POLYPAC BALSELE	1	0.17
5	3110196	WIPER SEAL	GA 70/80X7/10	1	0.07
6	3110397	PISTON GUIDE	E/PWR 90/84X13	2	0.08
7	28949101	CYLINDER BARREL	90/70X720	1	34.35
8	28949302	PISTON ROD	70-893	1	17.04
9	28942201	PISTON	90	1	2.46
10	28554105	SLEEVE	ISKURAJOITINHOLKKI	1	0.96
11	28358202	GUIDANCE	90/70	1	2.42
12	28944401	AXLE	60/M47	1	1.9
13	28861106	BASE		1	5.55
14	28861107	COVER		1	1.07
15	3100428	BEARING		1	1.14
16	3010970	ALLEN SCREW	NIVELLAAKERIN PALLO GEF 60 ES	4	0
17	3100344	BUSHING	M10X35 12.9 DIN 912	2	0.38
18	3120843	VALVE	WB 802 10060	1	0.13
19	3050003	GREASE NIPPLE		4	0
20	3090211	PLUG	M8X1,25 DIN 71412	1	0.02
1-6	3111025	SEAL KIT	90/70	1	